



Main Street
Creighton, 3263
P.O Box 62
Creighton 3263
Phone: +27 39 833 1038
Fax: +27 39 833 1179
Email: mailbox@ndz.gov.za
www.ndz.gov.za

**DR NKOSAZANA DLAMINI ZUMA
MUNICIPALITY
SUPPLY , INSTALLATION AND
DELIVERY OF 8 BUS SHELTERS
BID NO:PWBS-B058/20/21**

Name of bidder	
Telephone/Cellphone No.:	
Fax No:	
Address:	
Tender sum in Rands:	
Tender sum in words:	

TABLE OF CONTENT

- 1. INVITATION TO TENDER**
- 2. SPECIFICATION**
- 3. PRICING SCHEDULE**
- 4. EVALUATION CRITERIA**
- 5. FORMS TO BE COMPLETED**
- 6. CERTIFICATE OF ATTENDANCE AT BRIEFING MEETING**
- 7. TAX CLEARANCE CERTIFICATE REQUIREMENTS - MBD 2**
- 8. DECLARATION OF INTEREST - MBD 4**
- 9. PREFERENTIAL POINTS CLAIM FORM IN TERMS OF PREFERENTIAL PROCUREMENT REGULATIONS 2017 - MBD 6.1**
- 10. DECLARATION OF BIDDERS PAST SUPPLY**
- 11. SUPPLY CHAIN MANAGEMENT PRACTISES - MBD 8**
- 12. CERTIFICATE OF INDEPENDENT BID DETERMINATION- MBD 9**
- 13. FORM OF OFFER**
- 14. GCC**



ADVERT
SUPPLY , INSTALLATION AND DELIVERY OF 8 BUS SHELTERS
BID NO: PWBS- B058/20/21

REQUEST FOR TENDER: DR NKOSAZANA DLAMINI ZUMA MUNICIPALITY

Dr Nkosazana Dlamini Zuma Municipality is requesting bid from suitably qualified and experienced Service Providers for supply, installation and delivery of 8 bus shelters.

This Bid will be evaluated in terms of the 80/20 Preferential Procurement Point system and the points will be allocated as follows. **80 – Price, 20 - BBEE.**

PRE-QUALIFICATION

- The Municipality will only accept bids from bidders who are level 1 contributor B-BBEE level.

AVAILABILITY OF DOCUMENTS

Bid documents will be available at the Creighton Office from the **12th March 2021** during office hours until **the 29th March 2021 12h00am**. The cost of the Bid document is **R437.00** which is non-refundable. An Electronic copy is available on our website (www.ndz.gov.za) for **FREE**.

DOCUMENTS TO BE SUBMITTED WITH THE BID:

- Valid tax clearance certificate or Tax Compliance Status PIN
- Submit proof that the bidder and its directors are not owing municipal services.
- Certified copy of a certificate of Company Registration with the Registrar of Companies and CC's (CK).
- Certified copy of B-BBEE certificate / Certified Affidavit
- Certified copies of ID's.
- Form of offer
- MDB 1,4,6.2, 8 ,9 and fully completed (ANNEXURE C, E& D)
- Registration with CSD
- CIDB GRADING 2SL or 2CE only.
- Drawing is attached at the back of the Bid document.

CLOSING DATE:

Bid documents must be submitted in a sealed envelope clearly marked with the Tender number and closing date and dropped off in the tender box at the **Dr Nkosazana Dlamini Zuma Municipality Offices, Main street, Creighton** by no later than **the 29th March 2021 12:00am**. Late or faxed bid will not be accepted. Failure to comply with the above conditions will invalidate your offer.

The Dr Nkosazana Dlamini Zuma Municipality reserves the right not to make an appointment.

NB: Bid will remain valid for a period of 90 days from date of the closing of the Bid
N.B: The stipulated minimum threshold for local production and content for these Bids is as following:

Industry/sector/sub-sector	Minimum threshold for local content
• Mesh wire	100%
• Steel	100%
• Sheets	100%

Only locally produced goods, services or works or locally manufactured goods, with a stipulated minimum threshold for local production and content will be considered.

N.B: All enquiries must be in writing and be directed to the following emails by no later than **15/03/2021** and responses will be made available on our website (www.ndz.gov.za) by no later than the **(17/03/2021)**:

holiwen@ndz.gov.za
mngadis@ndz.gov.za
dlaminiz@ndz.gov.za

Procedure related enquires: **Miss.N Holiwe** (039) 833 1038
Technical Enquiries: **Mr.SV Mngadi / Mr.Z.Dlamini** (039) 833 1038


Mr. N.C. VEZI
Municipal Manager

ENTERED 12 MAR 2021

MBD 1

**PART A
INVITATION TO BID**

YOU ARE HEREBY INVITED TO BID FOR REQUIREMENTS OF THE (NAME OF MUNICIPALITY/ MUNICIPAL ENTITY)			
BID NUMBER:	PWBS- B058/20/21	CLOSING DATE:	29 March 2021
		CLOSING TIME:	12:00
DESCRIPTION	SUPPLY , INSTALLATION AND DELIVERY OF 8 BUS SHELTERS		
THE SUCCESSFUL BIDDER WILL BE REQUIRED TO FILL IN AND SIGN A WRITTEN CONTRACT FORM (MBD7).			
BID RESPONSE DOCUMENTS MAY BE DEPOSITED IN THE BID BOX SITUATED AT (STREET ADDRESS)			

Main Street			
Creighton			
3263			
SUPPLIER INFORMATION			
NAME OF BIDDER			
POSTAL ADDRESS			
STREET ADDRESS			
TELEPHONE NUMBER	CODE	NUMBER	
CELLPHONE NUMBER			
FACSIMILE NUMBER	CODE	NUMBER	
E-MAIL ADDRESS			
VAT REGISTRATION NUMBER			
TAX COMPLIANCE STATUS	TCS PIN:	OR	CSD No:
B-BBEE STATUS LEVEL VERIFICATION CERTIFICATE [TICK APPLICABLE BOX]	<input type="checkbox"/> Yes <input type="checkbox"/> No	B-BBEE STATUS LEVEL SWORN AFFIDAVIT	<input type="checkbox"/> Yes <input type="checkbox"/> No
[A B-BBEE STATUS LEVEL VERIFICATION CERTIFICATE/ SWORN AFFIDAVIT (FOR EMES & QSEs) MUST BE SUBMITTED IN ORDER TO QUALIFY FOR PREFERENCE POINTS FOR B-BBEE]			
ARE YOU THE ACCREDITED REPRESENTATIVE IN SOUTH AFRICA FOR THE GOODS /SERVICES /WORKS OFFERED?	<input type="checkbox"/> Yes <input type="checkbox"/> No [IF YES ENCLOSE PROOF]	ARE YOU A FOREIGN BASED SUPPLIER FOR THE GOODS /SERVICES /WORKS OFFERED?	<input type="checkbox"/> Yes <input type="checkbox"/> No [IF YES, ANSWER PART B:3]
TOTAL NUMBER OF ITEMS OFFERED		TOTAL BID PRICE	R
SIGNATURE OF BIDDER	DATE	
CAPACITY UNDER WHICH THIS BID IS SIGNED			
BIDDING PROCEDURE ENQUIRIES MAY BE DIRECTED TO:		TECHNICAL INFORMATION MAY BE DIRECTED TO:	
DEPARTMENT	BTO	CONTACT PERSON	Mr.SV Mngadi and Mr.Z.Dlamini
CONTACT PERSON	Miss.N. Holiwe	TELEPHONE NUMBER	(039) 833 1038
TELEPHONE NUMBER	039 833 1039	FACSIMILE NUMBER	
FACSIMILE NUMBER	086 583 235	E-MAIL ADDRESS	
E-MAIL ADDRESS	holiwen@ndz.gov.za		

PART B

TERMS AND CONDITIONS FOR BIDDING

1. BID SUBMISSION:	
1.1. BIDS MUST BE DELIVERED BY THE STIPULATED TIME TO THE CORRECT ADDRESS. LATE BIDS WILL NOT BE ACCEPTED FOR CONSIDERATION.	
1.2. ALL BIDS MUST BE SUBMITTED ON THE OFFICIAL FORMS PROVIDED--(NOT TO BE RE-TYPED) OR ONLINE	
1.3. THIS BID IS SUBJECT TO THE PREFERENTIAL PROCUREMENT POLICY FRAMEWORK ACT AND THE PREFERENTIAL PROCUREMENT REGULATIONS, 2017, THE GENERAL CONDITIONS OF CONTRACT (GCC) AND, IF APPLICABLE, ANY OTHER SPECIAL CONDITIONS OF CONTRACT.	
2. TAX COMPLIANCE REQUIREMENTS	
2.1 BIDDERS MUST ENSURE COMPLIANCE WITH THEIR TAX OBLIGATIONS.	
2.2 BIDDERS ARE REQUIRED TO SUBMIT THEIR UNIQUE PERSONAL IDENTIFICATION NUMBER (PIN) ISSUED BY SARS TO ENABLE THE ORGAN OF STATE TO VIEW THE TAXPAYER'S PROFILE AND TAX STATUS.	
2.3 APPLICATION FOR THE TAX COMPLIANCE STATUS (TCS) CERTIFICATE OR PIN MAY ALSO BE MADE VIA E-FILING. IN ORDER TO USE THIS PROVISION, TAXPAYERS WILL NEED TO REGISTER WITH SARS AS E-FILERS THROUGH THE WEBSITE WWW.SARS.GOV.ZA.	
2.4 FOREIGN SUPPLIERS MUST COMPLETE THE PRE-AWARD QUESTIONNAIRE IN PART B:3.	
2.5 BIDDERS MAY ALSO SUBMIT A PRINTED TCS CERTIFICATE TOGETHER WITH THE BID.	
2.6 IN BIDS WHERE CONSORTIA / JOINT VENTURES / SUB-CONTRACTORS ARE INVOLVED, EACH PARTY MUST SUBMIT A SEPARATE TCS CERTIFICATE / PIN / CSD NUMBER.	
2.7 WHERE NO TCS IS AVAILABLE BUT THE BIDDER IS REGISTERED ON THE CENTRAL SUPPLIER DATABASE (CSD), A CSD NUMBER MUST BE PROVIDED.	
3. QUESTIONNAIRE TO BIDDING FOREIGN SUPPLIERS	
3.1. IS THE ENTITY A RESIDENT OF THE REPUBLIC OF SOUTH AFRICA (RSA)?	<input type="checkbox"/> YES <input type="checkbox"/> NO
3.2. DOES THE ENTITY HAVE A BRANCH IN THE RSA? NO	<input type="checkbox"/> YES <input type="checkbox"/>
3.3. DOES THE ENTITY HAVE A PERMANENT ESTABLISHMENT IN THE RSA?	<input type="checkbox"/> YES <input type="checkbox"/> NO
3.4. DOES THE ENTITY HAVE ANY SOURCE OF INCOME IN THE RSA?	<input type="checkbox"/> YES <input type="checkbox"/> NO
3.5. IS THE ENTITY LIABLE IN THE RSA FOR ANY FORM OF TAXATION?	<input type="checkbox"/> YES <input type="checkbox"/> NO
IF THE ANSWER IS "NO" TO ALL OF THE ABOVE, THEN IT IS NOT A REQUIREMENT TO REGISTER FOR A TAX COMPLIANCE STATUS SYSTEM PIN CODE FROM THE SOUTH AFRICAN REVENUE SERVICE (SARS) AND IF NOT REGISTER AS PER 2.3 ABOVE.	

**NB: FAILURE TO PROVIDE ANY OF THE ABOVE PARTICULARS MAY RENDER THE BID INVALID.
NO BIDS WILL BE CONSIDERED FROM PERSONS IN THE SERVICE OF THE STATE.**

SIGNATURE OF BIDDER:

CAPACITY UNDER WHICH THIS BID IS SIGNED:

DATE:

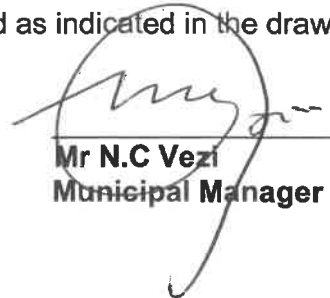
SPECIFICATION

The Dr Nkosazana Dlamini Zuma Municipality hereby requests bids from suitably qualified and experienced service providers to supply, installation and delivery of 8 bus shelters. The successful service provider will be expected to Supply. Installation and deliver as per the specification below:

- Prepare 8 site for concrete slabs
- 20MPA concrete slab must be 4.5m x 2m and 150mm thickness (with welded mesh REF. 395).
- Structural steel frame as per drawing (Length-3.5 and height-2.1m), cover sheets to be IBR Cromodec (Traffic green in colour) must be 0.65mm thickness.
- Steel benches (4 bars equally spaces as indicated as indicated in the drawing)



Mr.V.Mngadi
Senior Manager :PWBS



Mr N.C Vezi
Municipal Manager

CERTIFICATE OF ACKNOWLEDGEMENT

This is to certify that I _____

Representing _____

In the company of a representative of Dr Nkosazana Dlamini Zuma Municipality I carefully examined the document and have made myself familiar with all the requirements.

I further certify that I am satisfied with all the descriptions for the appointment of a service to supply, installation and delivery of 8 bus shelters for the Dr Nkosazana Dlamini Zuma Municipality by the said representative.

BIDDERS SIGNATURE

REPRESENTATIVE OF THE MUNICIPALITY



FORM A: RELEVANT EXPERIENCE

The Bidder shall enter in the spaces provided below a list of relevant experience with similar projects.

NB: Failure to provide the necessary information will compromise the proposal.

Employer (Name, Tel. No. or Fax No.)	Details of Project	Value of Work (fees)	Year
Client:..... Person:..... Tel.:..... Fax:.....			
Client:..... Person:..... Tel.:..... Fax:.....			
Client:..... Person:..... Tel.:..... Fax:.....			
Client:..... Person:..... Tel.:..... Fax:.....			

REQUEST FOR BIDS: SUPPLY, INSTALLATION AND DELIVERY OF 8 BUS SHELTERS

**EVALUATION CRITERIA
FUNCTIONALITY**

Price and Preference

- | | |
|-------------------------------------|-------------------------|
| • Price | 80 points |
| • B-BBEE verification status | <u>20 points</u> |
| • Total | 100 points |

REQUEST FOR BIDS: SUPPLY, INSTALLATION AND DELIVERY OF 8 BUS SHELTERS

CERTIFICATES OF GOOD STANDING

The bidder shall attach to this page the following:

COMPULSORY DOCUMENTS	TICK
a) Proof of registration with CSD- starting with (MAAA)	
b) Joint Venture Agreement (if necessary)	
c) -Attach updated municipal rates, water or electricity bill statement not in arrears for more than 90 days Or -Attach a valid lease agreement if the director is leasing offices/ residential Property with a confirmation letter from the landlord. Or - Attach a letter of exemption from the relevant municipality Or - Attach affidavit if the Municipal Account is under your parents or siblings and they are responsible for paying municipal rates(if the address is the same as yours) and attach the copy of the Municipal rates for the above mentioned. - Or - Attach copy of a marriage certificate if Municipal account is under your spouse.	
d) Form of offer fully completed	
e) MBD 1,4,6.2, 8, 9 and annexure C, D, E fully completed	
f) CIDB GRADING 2SL or 2CE only.	

NB: Failed to submit the above documents your tender will be disqualified

DOCUMENTS TO BE SUBMITTED	TICK
a) Certified Copies of CK Documents / Sole proprietary	
b) Valid Tax clearance certificate (with your pin number print and attach on the document Tax Clearance Certificate)	
c) Certified BBBEE verification certificate for Preferential points claim or sworn affidavit	
d) Certified copies of Identification documents of all members/directors of the entity	

INDIVIDUAL SHAREHOLDERS TAX NUMBERS

NAME OF SHAREHOLDER	TAX NUMBER

TAX CLEARANCE CERTIFICATE REQUIREMENTS

It is a condition of the bid that the taxes of the successful bidder must be in order or that satisfactory arrangement have been made with South African Revenue Service(SARS) to meet the bidders tax obligations.

1. In order to meet these requirement bidders are required to complete in full the form TCC 001 "Application for Tax Clearance Certificate" and submit it to any SARS branch office nationally. The Tax Clearance Certificate Requirements are also applicable to foreign bidders/ individuals who wish to submit bids.
2. SARS will then furnish the bidder with a Tax Clearance Certificate that will be valid for a period of 1(one) year from the date of approval.
3. It is the duty of the bidders to ensure the validity of the Tax Clearance Certificate.
4. The original Tax Clearance Certificate must be submitted together with the bid. Failure to submit the original and valid Tax Clearance Certificate will result in the invalidation of the bid. Certified copies of the Tax Clearance Certificate will not be acceptable.
5. In bids where Consortia/Joint Ventures /Sub Contractors are involved, each party must submit a separate Tax Clearance Certificate.
6. Copies of the TCC 001"Application for a Tax Clearance Certificate" form are available from any SARS branch office nationally or on the website www.sars.gov.za.
7. Application for Tax Clearance Certificates may also be made via eFiling. In order to use this provision, taxpayers will need to register with SARS as eFilers through the website www.sars.gov.za.

MBD 3 - PRICING SCHEDULE

SUPPLY, INSTALLATION AND DELIVERY OF 8 BUS SHELTERS

Ward	Description	Quantity	Rate	Total
1	Supply and erect a bus shelter as per attached drawing	1		
2	Supply and erect a bus shelter as per attached drawing	1		
3	Supply and erect a bus shelter as per attached drawing	1		
4	Supply and erect a bus shelter as per attached drawing	1		
5	Supply and erect a bus shelter as per attached drawing	1		
6	Supply and erect a bus shelter as per attached drawing	1		
7	Supply and erect a bus shelter as per attached drawing	1		
8	Supply and erect a bus shelter as per attached drawing	1		
	Sub Total			
	Contingencies@10%			
	Vat @15%			
	Total			

N.B This is 2 months project and 1 month of liability period and labour rate is R150.00 P/D.

Pricing for each shelter must include items indicated below

- **Prepare each site for concrete slab**
- **20 MPA concrete slab must be 4.5 x 2m and 150mm thickness with welded mesh REF.395**
- **Structural steel frame as per drawing (length 3.5m and height 2.1m, cover sheets to be IBR (Cromodec traffic green 0.65mm thickness)**
- **Steel benches (4 bars equally spaces as indicated in the drawing).**

DECLARATION OF INTEREST

1. No bid will be accepted from persons in the service of the state¹.
2. Any person, having a kinship with persons in the service of the state, including a blood relationship, may make an offer or offers in terms of this invitation to bid. In view of possible allegations of favouritism, should the resulting bid, or part thereof, be awarded to persons connected with or related to persons in service of the state, it is required that the bidder or their authorised representative declare their position in relation to the evaluating/adjudicating authority.

3 In order to give effect to the above, the following questionnaire must be completed and submitted with the bid.

3.1 Full Name of bidder or his or her representative.....

3.2 Identity Number:

3.3 Position occupied in the Company (director, trustee, hareholder²):.....

3.4 Company Registration Number:

3.5 Tax Reference Number.....

3.6 VAT Registration Number:

3.7 The names of all directors / trustees / shareholders members, their individual identity numbers and state employee numbers must be indicated in paragraph 4 below.

3.8 Are you presently in the service of the state? **YES / NO**

3.8.1 If yes, furnish particulars.....

¹MSCM Regulations: "in the service of the state" means to be –

- (a) a member of –
 - (i) any municipal council;
 - (ii) any provincial legislature; or
 - (iii) the national Assembly or the national Council of provinces;
- (b) a member of the board of directors of any municipal entity;
- (c) an official of any municipality or municipal entity;
- (d) an employee of any national or provincial department, national or provincial public entity or constitutional institution within the meaning of the Public Finance Management Act, 1999 (Act No.1 of 1999);
- (e) a member of the accounting authority of any national or provincial public entity; or
- (f) an employee of Parliament or a provincial legislature.

² Shareholder” means a person who owns shares in the company and is actively involved in the management of the company or business and exercises control over the company.

3.9 Have you been in the service of the state for the past twelve months? **YES / NO**

3.9.1 If yes, furnish particulars.....

.....

3.10 Do you have any relationship (family, friend, other) with persons in the service of the state and who may be involved with the evaluation and or adjudication of this bid?..... **YES / NO**

3.10.1 If yes, furnish particulars.

.....
.....

3.11 Are you, aware of any relationship (family, friend, other) between any other bidder and any persons in the service of the state who may be involved with the evaluation and or adjudication of this bid? **YES / NO**

3.11.1 If yes, furnish particulars

.....
.....

3.12 Are any of the company’s directors, trustees, managers, principle shareholders or stakeholders in service of the state? **YES / NO**

3.12.1 If yes, furnish particulars.

.....
.....

3.13 Are any spouse, child or parent of the company’s directors trustees, managers, principle shareholders or stakeholders in service of the state? **YES / NO**

3.13.1 If yes, furnish particulars.

.....
.....

3.14 Do you or any of the directors, trustees, managers, principle shareholders, or stakeholders of this company have any interest in any other related companies or business whether or not they are bidding for this contract. **YES / NO**

3.14.1 If yes, furnish particulars:

.....
.....

4. Full details of directors / trustees / members / shareholders.

Full Name	Identity Number	State Employee Number

.....
Signature

.....
Date

.....
Capacity Name of Bidder

.....

PREFERENCE POINTS CLAIM FORM IN TERMS OF THE PREFERENTIAL PROCUREMENT REGULATIONS 2011 WAS AMENDED TO ALIGN WITH NEW B-BBEE CODES OF GOOD PRACTICE IN THE 2017 REGULATIONS PURCHASES

This preference form must form part of all bids invited. It contains general information and serves as a claim form for Broad Based Black Economic Empowerment (BBBEE) preference points.

9

1. GENERAL CONDITIONS

1.1 The following preference point systems are applicable to all bids:

- the 80/20 system for requirements with a Rand value of up to R50 000 000; and
- the 90/10 system for requirements with a Rand value above R50 000 000.

1.2 The value of this bid is estimated to exceed/not exceed R50 000 000 and therefore the 80/20 system shall be applicable.

1.3 Preference points for this bid shall be awarded for:

- (a) Price; and
- (b) Specific contract participation goals, as specified in the attached forms.

1.3.1 The points for this bid are allocated as follows:

B-BBEE Status Level of Contributor	Number of points (90/10 system)	Number of points (80/20 system)
1	10	20
2	9	18
3	6	14
4	5	12
5	4	8
6	3	6
7	2	4
8	1	2
Non-compliant contributor	0	0

1.4 Failure on the part of a bidder to fill in and/or to sign this form may be interpreted to mean that preference points are not claimed.

1.5. The purchaser reserves the right to require of a bidder, either before a bid is adjudicated or at any time subsequently, to substantiate any claim in regard to preferences, in any manner required by the purchaser.

2. GENERAL DEFINITIONS

- 2.1 “**Acceptable bid**” means any bid which, in all respects, complies with the specifications and conditions of bid as set out in the bid document.
- 2.2 “**Bid**” means a written offer in a prescribed or stipulated form in response to an invitation by an organ of state for the provision of goods, works or services.
- 2.3 “**Comparative price**” means the price after the factors of a non-firm price and all unconditional discounts that can be utilised have been taken into consideration.
- 2.4 “**Consortium or joint venture**” means an association of persons for the purpose of combining their expertise, property, capital, efforts, skills and knowledge in an activity for the execution of a contract.
- 2.5 “**Contract**” means the agreement that results from the acceptance of a bid by an organ of state.
- 2.7 “**Control**” means the possession and exercise of legal authority and power to manage the assets, goodwill and daily operations of a business and the active and continuous exercise of appropriate managerial authority and power in determining the policies and directing the operations of the business.
- 2.11 “**Management**” means an activity inclusive of control and performed on a daily basis, by any person who is a principal executive officer of the company, by whatever name that person may be designated, and whether or not that person is a director.
- 2.12 “**Owned**” means having all the customary elements of ownership, including the right of decision-making and sharing all the risks and profits commensurate with the degree of ownership interests as demonstrated by an examination of the substance, rather than the form of ownership arrangements.
- 2.13 “**Person**” includes reference to a juristic person.
- 2.14 “**Rand value**” means the total estimated value of a contract in Rand denomination that is calculated at the time of bid invitations and includes all applicable taxes and excise duties.
- 2.15 “**Small, Medium and Micro Enterprises (SMMEs)** bears the same meaning assigned to this expression in the National Small Business Act, 1996 (No 102 of 1996).
- 2.16 “**Sub-contracting**” means the primary contractor’s assigning or leasing or making out work to, or employing another person to support such primary contractor in the execution of part of a project in terms of the contract.
- 2.17 “**Trust**” means the arrangement through which the property of one person is made over or bequeathed to a trustee to administer such property for the benefit of another person.
- 2.18 “**Trustee**” means any person, including the founder of a trust, to whom property is bequeathed in order for such property to be administered for the benefit of another person.

3. ADJUDICATION USING A POINT SYSTEM

- 3.1 The bidder obtaining the highest number of points will be awarded the contract.
- 3.2 Preference points shall be calculated after prices have been brought to a comparative basis.
- 3.3 Points scored will be rounded off to 2 decimal places.
- 3.4 In the event of equal points scored, the bid will be awarded to the bidder scoring the highest number of points for specified goals.

4. POINTS AWARDED FOR PRICE

4.1 THE 80/20 OR 90/10 PREFERENCE POINT SYSTEMS

A maximum of 80 or 90 points is allocated for price on the following basis:

$$P_s = 80 - \frac{P_t - P_{min}}{P_{min}} \quad \text{or} \quad P_s = 90 - \frac{P_t - P_{min}}{P_{min}}$$

Where

Ps = Points scored for price of bid under consideration

Pt = Rand value of bid under consideration

Pmin = Rand value of lowest acceptable bid

- 6.2 Equity claims for a trust will only be allowed in respect of those persons who are both trustees and beneficiaries and who are actively involved in the management of the trust.
- 6.3 Documentation to substantiate the validity of the credentials of the trustees contemplated above must be submitted.
- 6.4 Listed companies and tertiary institutions do not qualify for HDI preference points.
- 6.5 A consortium or joint venture may, based on the percentage of the contract value managed or executed by each entity, to be entitled to preference points in respect of BEE.
- 6.6 A person awarded a contract as a result of preference for contracting with, may not subcontract more than 25% of the value of the contract to a person who is not an BEE compliant or does not qualify for the same number or more preference for BEE.

7. BID DECLARATION

- 7.1 Bidders who claim points in respect of BEE must complete the Bid Declaration at the end of this form.

8. DESCRIBE PRINCIPAL BUSINESS ACTIVITIES

9. COMPANY CLASSIFICATION

- Manufacturer
- Supplier
- Professional service provider
- Other service providers, e.g. transporter, etc.

[TICK APPLICABLE BOX]

**10. MUNICIPAL INFORMATION
(DISCTRICT MUNICIPALITY ACCOUNT) *WATER AND SANITATION ACCOUNT**

District Municipality where business is situated:

Registered Account No:

Stand No:

(LOCAL MUNICIPALITY ACCOUNT) *RATES, REFUSE, ELECTRICTY ACCOUNTS

Local Municipality where business is situated:

Registered Account No:

Stand No:

11 TOTAL NUMBER OF YEARS THE FIRM HAS BEEN IN BUSINESS?

12 Consortium / Joint Venture

12.1 In the event that preference points are claimed for BEE members by consortia / joint ventures, the following information must be furnished in order to be entitled to the points claimed in respect of the HDI member:

Name of joint venture or consortium partner (to be consistent with paragraph 9.8)	Percentage (%) of the contract value managed or executed by the Joint Venture or Consortium partner

12.2 I/we, the undersigned, who warrants that he/she is duly authorised to do so on behalf of the firm certify that points claimed, based on the BEE status, indicated in paragraph 8 of the foregoing certificate, qualifies the firm for the preference(s) shown and I / we acknowledge that:

- (i) The information furnished is true and correct.
- (ii) The BEE status claimed is in accordance with the General Conditions as indicated in paragraph 1 of this form.

- (iii) In the event of a contract being awarded as a result of points claimed as shown in paragraph 8, the contractor may be required to furnish documentary proof to the satisfaction of the purchaser that the claims are correct.
- (iv) If the claims are found to be incorrect, the purchaser may, in addition to any other remedy it may have -
 - (a) recover costs, losses or damages it has incurred or suffered as a result of that person's conduct; and
 - (b) cancel the contract and claim any damages which it has suffered as a result of having to make less favourable arrangements due to such cancellation;

WITNESSES:

- 1.
- 2.

Signature(s) of bidders

DECLARATION CERTIFICATE FOR LOCAL PRODUCTION AND CONTENT FOR DESIGNATED SECTORS

This Municipal Bidding Document (MBD) must form part of all bids invited. It contains general information and serves as a declaration form for local content (local production and local content are used interchangeably).

Before completing this declaration, bidders must study the General Conditions, Definitions, Directives applicable in respect of Local Content as prescribed in the Preferential Procurement Regulations, 2011 and the South African Bureau of Standards (SABS) approved technical specification number SATS 1286:2011 (Edition 1) and the Guidance on the Calculation of Local Content together with the Local Content Declaration Templates [Annex C (Local Content Declaration: Summary Schedule), D (Imported Content Declaration: Supporting Schedule to Annex C) and E (Local Content Declaration: Supporting Schedule to Annex C)].

1. General Conditions

- 1.1. Preferential Procurement Regulations, 2011 (Regulation 9) makes provision for the promotion of local production and content.
- 1.2. Regulation 9(1) prescribes that in the case of designated sectors, where in the award of bids local production and content is of critical importance, such bids must be advertised with the specific bidding condition that only locally produced goods, services or works or locally manufactured goods, with a stipulated minimum threshold for local production and content will be considered.
- 1.3. Where necessary, for bids referred to in paragraph 1.2 above, a two stage bidding process may be followed, where the first stage involves a minimum threshold for local production and content and the second stage price and B-BBEE.
- 1.4. A person awarded a contract in relation to a designated sector, may not sub-contract in such a manner that the local production and content of the overall value of the contract is reduced to below the stipulated minimum threshold.
- 1.5. The local content (LC) expressed as a percentage of the bid price must be calculated in accordance with the SABS approved technical specification number SATS 1286: 2011 as follows:

$$LC = [1 - x / y] * 100$$

Where

- x is the imported content in Rand
- y is the bid price in Rand excluding value added tax (VAT)

Prices referred to in the determination of x must be converted to Rand (ZAR) by using the exchange rate published by the South African Reserve Bank (SARB) at 12:00 on the date of advertisement of the bid as required in paragraph 4.1 below.

The SABS approved technical specification number SATS 1286:2011 is accessible on [http://www.thedti.gov.za/industrial development/ip.jsp](http://www.thedti.gov.za/industrial%20development/ip.jsp) at no cost.

1.6. A bid may be disqualified if –

- (a) this Declaration Certificate and the Annex C (Local Content Declaration: Summary Schedule) are not submitted as part of the bid documentation; and
- (b) the bidder fails to declare that the Local Content Declaration Templates (Annex C, D and E) have been audited and certified as correct.

2. Definitions

2.1. **“bid”** includes written price quotations, advertised competitive bids or proposals;

2.2. **“bid price”** price offered by the bidder, excluding value added tax (VAT);

2.3. **“contract”** means the agreement that results from the acceptance of a bid by an organ of state;

2.4. **“designated sector”** means a sector, sub-sector or industry that has been designated by the Department of Trade and Industry in line with national development and industrial policies for local production, where only locally produced services, works or goods or locally manufactured goods meet the stipulated minimum threshold for local production and content;

2.5. **“duly sign”** means a Declaration Certificate for Local Content that has been signed by the Chief Financial Officer or other legally responsible person nominated in writing by the Chief Executive, or senior member / person with management responsibility (close corporation, partnership or individual).

2.6. **“imported content”** means that portion of the bid price represented by the cost of components, parts or materials which have been or are still to be imported (whether by the supplier or its subcontractors) and which costs are inclusive of the costs abroad (this includes labour and intellectual property costs), plus freight and other direct importation costs, such as landing costs, dock duties, import duty, sales duty or other similar tax or duty at the South African port of entry;

2.7. **“local content”** means that portion of the bid price which is not included in the imported content, provided that local manufacture does take place;

2.8. **“stipulated minimum threshold”** means that portion of local production and content as determined by the Department of Trade and Industry; and

2.9. **“sub-contract”** means the primary contractor’s assigning, leasing, making out work to, or employing another person to support such primary contractor in the execution of part of a project in terms of the contract.

3. **The stipulated minimum threshold(s) for local production and content (refer to Annex A of SATS 1286:2011) for this bid is/are as follows:**

Description of services, works or goods	Stipulated minimum threshold
Sheets	100%
Mesh wire	100%
Steel	100%

4. Does any portion of the services, works or goods offered have any imported content?

(Tick applicable box)

YES	<input type="checkbox"/>	NO	<input type="checkbox"/>
-----	--------------------------	----	--------------------------

4.1 If yes, the rate(s) of exchange to be used in this bid to calculate the local content as prescribed in paragraph 1.5 of the general conditions must be the rate(s) published by the SARB for the specific currency at 12:00 on the date of advertisement of the bid.

The relevant rates of exchange information is accessible on www.reservebank.co.za.

Indicate the rate(s) of exchange against the appropriate currency in the table below (refer to Annex A of SATS 1286:2011):

Currency	Rates of exchange
US Dollar	
Pound Sterling	
Euro	
Yen	
Other	

NB: Bidders must submit proof of the SARB rate (s) of exchange used.

5. Were the Local Content Declaration Templates (Annex C, D and E) audited and certified as correct?

(Tick applicable box)

YES	<input type="checkbox"/>	NO	<input type="checkbox"/>
-----	--------------------------	----	--------------------------

5.1. If yes, provide the following particulars:

- (a) Full name of auditor:
- (b) Practice number:.....
- (c) Telephone and cell number:
- (d) Email address:.....

(Documentary proof regarding the declaration will, when required, be submitted to the satisfaction of the Accounting Officer / Accounting Authority)

6. Where, after the award of a bid, challenges are experienced in meeting the stipulated minimum threshold for local content the dti must be informed accordingly in order for the dti to verify and in consultation with the Accounting Officer / Accounting Authority provide directives in this regard.

LOCAL CONTENT DECLARATION
(REFER TO ANNEX B OF SATS 1286:2011)

LOCAL CONTENT DECLARATION BY CHIEF FINANCIAL OFFICER OR OTHER LEGALLY RESPONSIBLE PERSON NOMINATED IN WRITING BY THE CHIEF EXECUTIVE OR SENIOR MEMBER/PERSON WITH MANAGEMENT RESPONSIBILITY (CLOSE CORPORATION, PARTNERSHIP OR INDIVIDUAL)

IN RESPECT OF BID NO.

ISSUED BY: (Procurement Authority / Name of Municipality / Municipal Entity):
.....

NB

1 The obligation to complete, duly sign and submit this declaration cannot be transferred to an external authorized representative, auditor or any other third party acting on behalf of the bidder.

2 Guidance on the Calculation of Local Content together with Local Content Declaration Templates (Annex C, D and E) is accessible on <http://www.thedti.gov.za/industrialdevelopment/ip.jsp>. Bidders should first complete Declaration D. After completing Declaration D, bidders should complete Declaration E and then consolidate the information on Declaration C. **Declaration C should be submitted with the bid documentation at the closing date and time of the bid in order to substantiate the declaration made in paragraph (c) below.** Declarations D and E should be kept by the bidders for verification purposes for a period of at least 5 years. The successful bidder is required to continuously update Declarations C, D and E with the actual values for the duration of the contract.

I, the undersigned, (full names),
do hereby declare, in my capacity as
of(name of bidder
entity), the following:

(a) The facts contained herein are within my own personal knowledge.

(b) I have satisfied myself that

- (i) the goods/services/works to be delivered in terms of the above-specified bid comply with the minimum local content requirements as specified in the bid, and as measured in terms of SATS 1286:2011; and
- (ii) the declaration templates have been audited and certified to be correct.

(c)The local content percentages (%) indicated below has been calculated using the formula given in clause 3 of SATS 1286:2011, the rates of exchange indicated in paragraph 4.1 above and the information contained in Declaration D and E which has been consolidated in Declaration C;

Bid price, excluding VAT (y)	R
Imported content (x), as calculated in terms of SATS 1286:2011	R
Stipulated minimum threshold for local content (paragraph 3 above)	
Local content %, as calculated in terms of SATS 1286:2011	

If the bid is for more than one product, the local content percentages for each product contained in Declaration C shall be used instead of the table above. The local content percentages for each product has been calculated using the formula given in clause 3 of SATS 1286:2011, the rates of exchange indicated in paragraph 4.1 above and the information contained in Declaration D and E.

(d) I accept that the Procurement Authority / Municipality /Municipal Entity has the right to request that the local content be verified in terms of the requirements of SATS 1286:2011.

(e) I understand that the awarding of the bid is dependent on the accuracy of the information furnished in this application. I also understand that the submission of incorrect data, or data that are not verifiable as described in SATS 1286:2011, may result in the Procurement Authority / Municipal / Municipal Entity imposing any or all of the remedies as provided for in Regulation 13 of the Preferential Procurement Regulations, 2011 promulgated under the Preferential Policy Framework Act (PPPFA), 2000 (Act No. 5 of 2000).

SIGNATURE: _____

DATE: _____

WITNESS No. 1 _____

DATE: _____

WITNESS No. 2 _____

DATE: _____

DECLARATION OF BIDDER’S PAST SUPPLY CHAIN MANAGEMENT PRACTICES

- 1 This Municipal Bidding Document must form part of all bids invited.
- 2 It serves as a declaration to be used by municipalities and municipal entities in ensuring that when goods and services are being procured, all reasonable steps are taken to combat the abuse of the supply chain management system.
- 3 The bid of any bidder may be rejected if that bidder, or any of its directors have:
 - a. abused the municipality’s / municipal entity’s supply chain management system or committed any improper conduct in relation to such system;
 - b. been convicted for fraud or corruption during the past five years;
 - c. willfully neglected, reneged on or failed to comply with any government, municipal or other public sector contract during the past five years; or
 - d. been listed in the Register for Tender Defaulters in terms of section 29 of the Prevention and Combating of Corrupt Activities Act (No 12 of 2004).
- 4 **In order to give effect to the above, the following questionnaire must be completed and submitted with the bid.**

Item	Question	Yes	No
4.1	Is the bidder or any of its directors listed on the National Treasury’s database as a company or person prohibited from doing business with the public sector? (Companies or persons who are listed on this database were informed in writing of this restriction by the National Treasury after the <i>audi alteram partem</i> rule was applied).	Yes <input type="checkbox"/>	No <input type="checkbox"/>
4.1.1	If so, furnish particulars:		
4.2	Is the bidder or any of its directors listed on the Register for Tender Defaulters in terms of section 29 of the Prevention and Combating of Corrupt Activities Act (No 12 of 2004)? (To access this Register enter the National Treasury’s website, www.treasury.gov.za, click on the icon “Register for Tender Defaulters” or submit your written request for a hard copy of the Register to facsimile number (012) 3265445).	Yes <input type="checkbox"/>	No <input type="checkbox"/>
4.2.1	If so, furnish particulars:		

4.3	Was the bidder or any of its directors convicted by a court of law (including a court of law outside the Republic of South Africa) for fraud or corruption during the past five years?	Yes <input type="checkbox"/>	No <input type="checkbox"/>
4.3.1	If so, furnish particulars:		
Item	Question	Yes	No
4.4	Does the bidder or any of its directors owe any municipal rates and taxes or municipal charges to the municipality / municipal entity, or to any other municipality / municipal entity, that is in arrears for more than three months?	Yes <input type="checkbox"/>	No <input type="checkbox"/>
4.4.1	If so, furnish particulars:		
4.5	Was any contract between the bidder and the municipality / municipal entity or any other organ of state terminated during the past five years on account of failure to perform on or comply with the contract?	Yes <input type="checkbox"/>	No <input type="checkbox"/>
4.7.1	If so, furnish particulars:		

CERTIFICATION

I, THE UNDERSIGNED (FULL NAME)CERTIFY THAT THE INFORMATION FURNISHED ON THIS DECLARATION FORM TRUE AND CORRECT.

I ACCEPT THAT, IN ADDITION TO CANCELLATION OF A CONTRACT, ACTION MAY BE TAKEN AGAINST ME SHOULD THIS DECLARATION PROVE TO BE FALSE.

.....

Signature

.....

Date

.....

Position

.....

Name of bidder

CERTIFICATE OF INDEPENDENT BID DETERMINATION

I, the undersigned, in submitting the accompanying bid:

(Bid Number and Description)

in response to the invitation for the bid made by:

(Name of Municipality / Municipal Entity)

do hereby make the following statements that I certify to be true and complete in every respect: I certify, on behalf of: _____ that:

(Name of Bidder)

1. I have read and I understand the contents of this Certificate;
2. I understand that the accompanying bid will be disqualified if this Certificate is found not to be true and complete in every respect;
3. I am authorized by the bidder to sign this Certificate, and to submit the accompanying bid, on behalf of the bidder;
4. Each person whose signature appears on the accompanying bid has been authorized by the bidder to determine the terms of, and to sign, the bid, on behalf of the bidder;
5. For the purposes of this Certificate and the accompanying bid, I understand that the word "competitor" shall include any individual or organization, other than the bidder, whether or not affiliated with the bidder, who:
 - (a) has been requested to submit a bid in response to this bid invitation;
 - (b) could potentially submit a bid in response to this bid invitation, based on their qualifications, abilities or experience; and
 - (c) provides the same goods and services as the bidder and/or is in the same line of business as the bidder
6. The bidder has arrived at the accompanying bid independently from, and without consultation, communication, agreement or arrangement with any competitor. How-ever communication between partners in a joint venture or consortium will not be construed as collusive bidding.
7. In particular, without limiting the generality of paragraphs 6 above, there has been no consultation, communication, agreement or arrangement with any competitor regarding:

- (a) prices;
 - (b) geographical area where product or service will be rendered (market allocation);
 - (c) methods, factors or formulas used to calculate prices;
 - (d) the intention or decision to submit or not to submit, a bid;
 - (e) the submission of a bid which does not meet the specifications and conditions of the bid; or
 - (f) bidding with the intention not to win the bid.
8. In addition, there have been no consultations, communications, agreements or arrangements with any competitor regarding the quality, quantity, specifications and conditions or delivery particulars of the products or services to which this bid invitation relates.
 9. The terms of the accompanying bid have not been, and will not be, disclosed by the bidder, directly or indirectly, to any competitor, prior to the date and time of the official bid opening or of the awarding of the contract.
 10. I am aware that, in addition and without prejudice to any other remedy provided to combat any restrictive practices related to bids and contracts, bids that are suspicious will be reported to the Competition Commission for investigation and possible imposition of administrative penalties in terms of section 59 of the Competition Act No. 89 of 1998 and or may be reported to the National Prosecuting Authority (NPA) for criminal investigation and or may be restricted from conducting business with the public sector for a period not exceeding ten (10) years in terms of the Prevention and Combating of Corrupt Activities Act No. 12 of 2004 or any other applicable legislation.

.....
Signature

.....
Position

.....
Name of bidder

.....
Date

AGREEMENTS AND CONTRACT DATA

Form of Offer and Acceptance

A: Offer

The Employer, identified in the Acceptance signature block, has solicited offers to enter into a Contract for the procurement of:

BID NO: PWBS-B058/20/21 SUPPLY, INSTALLATION AND DELIVERY OF 8 BUS SHELTERS

The Tenderer, identified in the Offer signature block, has examined the documents listed in the Tender Data and addenda thereto as listed in the returnable schedules, and by submitting this offer has accepted the conditions of tender.

By the representative of the tenderer, deemed to be duly authorized, signing this apart of this form of offer and acceptance, the tenderer offers to perform all of the obligations and liabilities of the contractor under the contract including compliance with all its terms and conditions according to their true intent and meaning for an amount to be determined in accordance with the conditions of contract identified in the contract data.

THE OFFERED TOTAL PRICE INCLUSIVE OF VALUE ADDED TAX (VAT) IS

.....
.....
..... Rand (in words);

R (in figures),

This offer may be accepted by the employer by signing the Acceptance part of this Form of Offer and Acceptance and returning one copy of this document to the tenderer before the end of the period of validity stated in the tender data, whereupon the tenderer becomes the party named as the contractor in the conditions of contract identified in the contract data.

Signature:

Name: (in capitals) _

Capacity of Signatory:

Name of Tenderer (organisation):

Address:
.....

Tel: **Fax:**

Witness:

Signature: **Name:**

Date:

Failure to complete and sign this form will invalid your bid

B: Acceptance

By signing this part of this form of offer and acceptance, the employer identified below accepts the tenderer's offer. In consideration thereof, the Employer shall pay the Contractor the amount due in accordance with the conditions of contract identified in the contract data. Acceptance of the tenderer's offer shall form an agreement, between the employer and the tenderer upon the terms and conditions contained in this agreement and in the contract that is the subject of this agreement.

The terms of the contract, are contained in

- Pricing data

Deviations from and amendments to the documents listed in the tender data and any addenda thereto as listed in the tender schedules as well as any changes to the terms of the offer agreed by the tenderer and the employer during this process of offer and acceptance, are contained in the schedule of deviations attached to and forming part of this agreement. No amendments to or deviations from said documents are valid unless contained in this schedule.

The tenderer shall within two weeks after receiving a completed copy of this agreement, including the schedule of deviations (if any), contact the employer's agent (whose details are given in the contract data) to arrange the delivery of any bonds, guarantees, proof of insurance and any other documentation to be provided in terms of the conditions of contract identified in the contract data. Failure to fulfil any of these obligations in accordance with those terms shall constitute a repudiation of this agreement.

Notwithstanding anything contained herein, ***this agreement comes into effect on the date when the tenderer receives one fully completed original copy of this document***, including the schedule of deviations (if any). Unless the tenderer within five working days of the date of such receipt notifies the employer in writing of any reason why he cannot accept the contents of this agreement, this agreement shall constitute a binding contract between the parties.

Signature:

Name: (in capitals).....

Capacity:

Name of Employer (organization):

Address:
.....
.....

Witness:

Signature: **Name:**

Date:

CONDITIONS OF CONTRACT

Contract No. _____

Name of Contract: _____

entered into between

Name of Institution

herein represented by _____

in his/her capacity as _____

and

Name of Vendor

Registration Number

herein represented by _____

in his/her capacity as _____

and duly authorized by resolution dated _____

a copy of which is annexed hereto marked _____

TABLE OF CONTENTS

4. Full details of directors / trustees / members / shareholders.	17
80/20 or 90/10	Error! Bookmark not defined.
Section A	37
General Conditions of Contract	37
1. Definitions	37
2. Application	39
3. General	40
4. Standards	40
5. Use of Contract Document and Information; Inspection	40
6. Patent Rights	41
7. Performance Security	41
8. Inspection, Tests and Analysis	42
9. Packaging	43
10. Delivery and Documents	43
11. Insurance	43
12. Transportation	44
13. Incidental Services	44
14. Spare Parts	44
15. Warranty	45
16. Payment	46
17. Prices	46
18. Contract Amendments	46
19. Assignment	47
20. Subcontractors	47
21. Delay in Vendor's Performance	47
22. Penalties	48
23. Termination for Default	48
24. Anti-Dumping and Countervailing Duties and Rights	50
25. Force Majeure	50
26. Termination on Insolvency	51
27. Settlement of Disputes	51
28. Limitation of Liability	52
29. Governing Language	52
30. Applicable Law	53
31. Notices	53
32. Taxes and Duties	53
33. National Industrial Participation Programme	53
34. Prohibition of Restrictive Practices	54

Section A

General Conditions of Contract

1. Definitions

The following terms shall be interpreted as indicated:

- 1.1 **“Closing time”** means the date and hour specified in the bidding documents for the receipt of bids.
- 1.2 **“Contract”** means the written agreement entered into between the Purchaser and the Vendor, as recorded in the contract form signed by the parties, including all attachments and appendices thereto and all documents incorporated by reference therein.
- 1.3 **“Contract price”** means the price payable to the Vendor under the contract for the full and proper performance of his contractual obligations.
- 1.4 **“Corrupt practice”** means the offering, giving, receiving, or soliciting of anything of value to influence the action of a public official in the procurement process or in contract execution.
- 1.5 **“Countervailing duties”** are imposed in cases where an enterprise abroad is subsidized by its government and encouraged to market its products internationally.
- 1.6 **“Country of origin”** means the place where the goods were mined, grown or produced or from which the services are supplied. Goods are produced when, through manufacturing, processing or substantial and major assembly of components, a commercially recognized new product results that is substantially different in basic characteristics or in purpose or utility from its components.
- 1.7 **“Day”** means calendar day.
- 1.8 **“Delivery”** means delivery in compliance with the conditions of the contract or order.

- 1.9 **“Delivery ex stock”** means immediate delivery directly from stock actually on hand.
- 1.10 **“Delivery into consignee’s store or to his site”** means delivered and unloaded in the specified store or depot or on the specified site in compliance with the conditions of the contract or order, the Vendor bearing all risks and charges involved until the supplies are so delivered and a valid receipt is obtained.
- 1.11 **“Dumping”** occurs when a private enterprise abroad markets its goods on own initiative in the RSA at lower prices than that of the country of origin and which have the potential to harm the local industries in the RSA.
- 1.12 **“Force majeure”** means an event beyond the control of the Vendor and not involving the Vendor’s fault or negligence and not foreseeable. Such events may include, but is not restricted to, acts of the Purchaser in its sovereign capacity, wars or revolutions, fires, floods, epidemics, quarantine restrictions and freight embargoes.
- 1.13 **“Fraudulent practice”** means a misrepresentation of facts in order to influence a procurement process or the execution of a contract to the detriment of any bidder, and includes collusive practice among bidders (prior to or after bid submission) designed to establish bid prices at artificial non-competitive levels and to deprive the bidder of the benefits of free and open competition.
- 1.14 **“GCC”** means the General Conditions of Contract.
- 1.15 **“Goods”** means all of the equipment, machinery, and/or other materials that the Vendor is required to supply to the Purchaser under the contract.
- 1.16 **“Imported content”** means that portion of the bidding price represented by the cost of components, parts or materials which have been or are still to be imported (whether by the Vendor or his subcontractors) and which costs are inclusive of the costs abroad, plus freight and other direct importation costs such as landing costs, dock dues, import duty, sales duty or other similar tax or duty at the South African place of entry as well as transportation and handling charges to the factory in the Republic where the supplies covered by the bid will be manufactured.

- 1.17 **“Local content”** means that portion of the bidding price which is not included in the imported content provided that local manufacture does take place.
- 1.18 **“Manufacture”** means the production of products in a factory using labour, materials, components and machinery and includes other related value-adding activities.
- 1.19 **“Order”** means an official written order issued for the supply of goods/works or the rendering of a service.
- 1.20 **“Project site”** where applicable, means the place indicated in bidding documents.
- 1.21 **“Purchaser”** means the Institution purchasing the goods/works and/or service.
- 1.22 **“Republic”** means the Republic of South Africa.
- 1.23 **“SCC”** means the Special Conditions of Contract.
- 1.24 **“Services”** means that functional services ancillary to the supply of the goods, such as transportation and any other incidental services, such as installation, commissioning, provision of technical assistance, training, catering, gardening, security, maintenance and other such obligations of the Vendor covered under the contract.
- 1.25 **“Written” or “in writing”** means handwritten in ink or any form of electronic or mechanical writing.

2. Application

- 2.1 These general conditions are applicable to all bids, contracts and orders including bids for functional and professional services, sales, hiring, letting and the granting or acquiring of rights, but **excluding immovable property**, unless otherwise indicated in the bidding documents.
- 2.2 Where applicable, Special Conditions of Contract are also laid down to cover specific Vendors, services or works.

2.3 Where such Special Conditions of Contract are in conflict with these general conditions, the special conditions shall apply.

3. General

3.1 Unless otherwise indicated in the bidding documents, the Purchaser shall not be liable for any expense incurred in the preparation and submission of a bid. Where applicable a non-refundable fee for documents may be charged.

3.2 With certain exceptions, invitations to bid are only published in the Government Tender Bulletin. The Government Tender Bulletin may be obtained directly from the Government Printer, Private Bag X85, Pretoria 0001, or accessed electronically from www.treasury.gov.za.

4. Standards

4.1 The goods/works and/or service supplied shall conform to the standards mentioned in the bidding documents and specifications.

5. Use of Contract Document and Information; Inspection

5.1 The Vendor shall not, without the Purchaser's prior written consent, disclose the contract, or any provision thereof, or any specification, plan, drawing, pattern, sample, or information furnished by or on behalf of the Purchaser in connection therewith, to any person other than a person employed by the Vendor in the performance of the contract. Disclosure to any such employed person shall be made in confidence and shall extend only so far as may be necessary for purposes of such performance.

5.2 The Vendor shall not, without the Purchaser's prior written consent, make use of any document or information mentioned in GCC clause 5.1 except for purposes of performing the contract.

5.3 Any document, other than the contract itself mentioned in GCC clause 5.1 shall remain the property of the Purchaser and shall be returned (all copies) to the Purchaser on completion of the Vendor's performance under the contract if so required by the Purchaser.

- 5.4 The Vendor shall permit the Purchaser to inspect the Vendor's records relating to the performance of the Vendor and to have them audited by auditors appointed by the Purchaser, if so required by the Purchaser.
- 5.5 The Vendor shall indemnify the Purchaser against all third-party claims of infringement of patent, trademark, or industrial design rights arising from use of the goods or any part thereof by the Purchaser.

6. Patent Rights

- 6.1 The Vendor shall indemnify the Purchaser against all third-party claims of infringement of patent, trademark, or industrial design rights arising from use of the goods or any part thereof by the Purchaser.

7. Performance Security

- 7.1 The proceeds of the performance security shall be payable to the Purchaser as compensation for any loss resulting from the Vendor's failure to complete his obligations under the contract.
- 7.2 The performance security shall be denominated in the currency of the contract, or in a freely convertible currency acceptable to the Purchaser and shall be in one of the following forms:
- a) a bank guarantee or an irrevocable letter of credit issued by a reputable bank located in the Purchaser's country or abroad, acceptable to the Purchaser, in the form provided in the bidding documents or another form acceptable to the Purchaser; or
 - b) a cashier's or certified cheque.
- 7.3 The performance security will be discharged by the Purchaser and returned to the Vendor not later than thirty (30) days following the date of completion of the Vendor's performance obligations under the contract, including any warranty obligations, unless otherwise specified in SCC.

8. Inspection, Tests and Analysis

- 8.1 All pre-bidding testing will be for the account of the bidder.
- 8.2 If it is a bid condition that supplies to be produced or services to be rendered should at any stage during production or execution or on completion be subject to inspection, the premises of the bidder or contractor shall be open, at all reasonable hours, for inspection by a representative of the Institution or an organization acting on behalf of the Institution.
- 8.3 If there are no inspection requirements indicated in the bidding documents and no mention is made in the contract, but during the contract period it is decided that inspections shall be carried out, the Purchaser shall itself make the necessary arrangements, including payment arrangements with the testing authority concerned.
- 8.4 If the inspections, tests and analyses referred to in clauses 8.2 and 8.3 show the supplies to be in accordance with the contract requirements, the cost of the inspections, tests and analyses shall be defrayed by the Purchaser.
- 8.5 Where the supplies or services referred to in clauses 8.2 and 8.3 do not comply with the contract requirements, irrespective of whether such supplies or services are accepted or not, the cost in connection with these inspections, tests or analyses shall be defrayed by the Vendor.
- 8.6 Supplies and services which are referred to in clauses 8.2 and 8.3 and which do not comply with the contract requirements may be rejected.
- 8.7 Any contract supplies may on or after delivery be inspected, tested or analyzed and may be rejected if found not to comply with the requirements of the contract. Such rejected supplies shall be held at the cost and risk of the Vendor who shall, when called upon, remove them immediately at his own cost and forthwith substitute them with supplies which do comply with the requirements of the contract. Failing such removal the rejected supplies shall be returned at the Vendor's cost and risk. Should the Vendor fail to provide the substitute supplies forthwith, the Purchaser may, without giving the Vendor further opportunity to substitute the rejected supplies, purchase such supplies as may be necessary at the expense of the Vendor.

8.8 The provisions of clauses 8.4 to 8.7 shall not prejudice the right of the Purchaser to cancel the contract on account of a breach of the conditions thereof, or to act in terms of Clause 23 of GCC.

9. Packaging

9.1 The Vendor shall provide such packing of the goods as is required to prevent their damage or deterioration during transit to their final destination, as indicated in the contract. The packing shall be sufficient to withstand, without limitation, rough handling during transit and exposure to extreme temperatures, salt and precipitation during transit, and open storage. Packing, case size and weights shall take into consideration, where appropriate, the remoteness of the goods' final destination and the absence of heavy handling facilities at all points in transit.

9.2 The packing, marking, and documentation within and outside the packages shall comply strictly with such special requirements as shall be expressly provided for in the contract, including additional requirements, if any, specified in SCC, and in any subsequent instructions ordered by the Purchaser.

10. Delivery and Documents

10.1 Delivery of the goods shall be made by the Vendor in accordance with the terms specified in the contract. The details of shipping and/or other documents to be furnished by the Vendor are specified in SCC.

10.2 Documents to be submitted by the Vendor are specified in SCC.

11. Insurance

11.1 The goods supplied under the contract shall be fully insured in a freely convertible currency against loss or damage incidental to manufacture or acquisition, transportation, storage and delivery in the manner specified in the SCC.

12. Transportation

- 12.1 Should a price other than an all-inclusive delivered price be required, this shall be specified in the SCC.

13. Incidental Services

- 13.1 The Vendor may be required to provide any or all of the following services, including additional services, if any, specified in SCC:
- a) performance or supervision of on-site assembly and/or commissioning of the supplied goods;
 - b) furnishing of tools required for assembly and/or maintenance of the supplied goods;
 - c) furnishing of a detailed operations and maintenance manual for each appropriate unit of the supplied goods;
 - d) performance or supervision or maintenance and/or repair of the supplied goods, for a period of time agreed by the parties, provided that this service shall not relieve the Vendor of any warranty obligations under this contract;
 - e) training of the Purchaser's personnel, at the Vendor's plant; and /or
 - f) on-site, in assembly, start-up, operation, maintenance, and/or repair of the supplied goods.
- 13.2 Prices charged by the Vendor for incidental services, if not included in the contract price for the goods, shall be agreed upon in advance by the parties and shall not exceed the prevailing rates charged to other parties by the Vendor for similar services.

14. Spare Parts

- 14.1 Specified in SCC, the Vendor may be required to provide any or all of the following materials, notifications, and information pertaining to spare parts manufactured or distributed by the Vendor:
- a) such spare parts as the Purchaser may elect to purchase from the Vendor, provided that this election shall not relieve the Vendor of any warranty obligations under the contract; and
 - b) in the event of termination of production of the spare parts:
 - i. Advance notification to the Purchaser of the pending termination, in sufficient time to permit the Purchaser to procure needed requirements; and
 - ii. following such termination, furnishing at no cost to the Purchaser, the blueprints, drawings, and specifications of the spare parts, if requested.

15. Warranty

- 15.1 The Vendor warrants that the goods supplied under the contract are new, unused, of the most recent or current models, and that they incorporate all recent improvements in design and materials unless provided otherwise in the contract. The Vendor further warrants that all goods supplied under this contract shall have no defect, arising from design, materials, or workmanship (except when the design and/or material is required by the Purchaser's specifications) or from any act or omission of the Vendor, that may develop under normal use of the supplied goods in the conditions prevailing in the country of final destination.
- 15.2 This warranty shall remain valid for twelve (12) months after the goods, or any portion thereof as the case may be, have been delivered to and accepted at the final destination indicated in the contract, or for eighteen (18) months after the date of shipment from the port or place of loading in the source country, whichever period concludes earlier, unless specified otherwise in SCC.
- 15.3 The Purchaser shall promptly notify the Vendor in writing of any claims arising under this warranty.
- 15.4 Upon receipt of such notice, the Vendor shall, within the period specified in SCC and with all reasonable speed, repair or replace the defective goods or parts thereof, without costs to the Purchaser.

15.5 If the Vendor, having been notified, fails to remedy the defect(s) within the period specified in SCC, the Purchaser may proceed to take such remedial action as may be necessary, at the Vendor's risk and expense and without prejudice to any other rights which the Purchaser may have against the Vendor under the contract.

16. Payment

16.1 The method and conditions of payment to be made to the Vendor under this contract shall be specified in SCC.

16.2 The Vendor shall furnish the Purchaser with an invoice accompanied by a copy of the delivery note and upon fulfilment of other obligations stipulated in the contract.

16.3 Payments shall be made promptly by the Purchaser, but in no case later than thirty (30) days after submission of an invoice or claim by the Vendor.

16.4 Payment will be made in Rand unless otherwise stipulated in SCC.

17. Prices

17.1 Prices charged by the Vendor for goods/works delivered and/or services rendered under the contract shall not vary from prices quoted by the Vendor in this bid, with an exception of any price adjustments authorized in SCC or Purchaser's request for bid validity extension, as the case may be.

18. Contract Amendments

18.1 No variation in or modification of the terms of the contract shall be made except by written amendment signed by the parties concerned.

19. Assignment

- 19.1 The Vendor shall not assign, in whole or in part, its obligations to perform under the contract, except with the Purchaser's prior written consent.

20. Subcontractors

- 20.1 The Vendor shall notify the Purchaser in writing of all subcontracts awarded under this contract if not already specified in the bid. Such notification, in the original bid or later, shall not relieve the Vendor from any liability or obligation under the contract.

21. Delay in Vendor's Performance

- 21.1 Delivery of the goods/works and/or performance of services shall be made by the Vendor in accordance with the time schedule prescribed by the Purchaser in the contract.
- 21.2 If at any time during performance of the contract, the Vendor or its subcontractor(s) should encounter conditions impeding timely delivery of the goods/works and/or performance of services, the Vendor shall promptly notify the Purchaser in writing of the fact of the delay, its likely duration and its cause(s). As soon as practicable after receipt of the Vendor's notice, the Purchaser shall evaluate the situation and may at his discretion extend the Vendor's time for performance, with or without the imposition of penalties, in which case the extension shall be ratified by the parties by amendment of contract.
- 21.3 No provision in a contract shall be deemed to prohibit the obtaining of supplies or services from a national department, provincial department, or a local authority.

- 21.4 The right is reserved to procure outside of the contract small quantities or to have essential services executed if an emergency arises, the Vendor's point of supply is not situated at or near the place the supplies are required or the Vendor's supplies or goods are not readily available.
- 21.5 Except as provided under GCC Clause 25, a delay by the Vendor in the performance of its delivery obligations shall render the Vendor liable to the imposition of penalties, pursuant to GCC Clause 22, unless an extension of time is agreed upon pursuant to GCC Clause 21.2 without the application of penalties.
- 21.6 Upon any delay beyond the delivery period in the case of a supplies contract, the Purchaser shall, without cancelling the contract, be entitled to purchase supplies of a similar quality and up to the same quantity in substitution of the goods not supplied in conformity with the contract and to return any goods delivered later at the Vendor's expense and risk, or to cancel the contract and buy such goods as may be required to complete the contract and without prejudice to his other rights, be entitled to claim damages from the Vendor.

22. Penalties

- 22.1 Subject to GCC Clause 25, if the Vendor fails to deliver any or all of the goods/works and/or to perform the services within the period(s) specified in the contract, the Purchaser shall, without prejudice to its other remedies under the contract, deduct from the contract price, as a penalty, a sum calculated on the delivered price of the delayed goods/works and/or unperformed services using the current prime interest rate calculated for each day of the delay until actual delivery or performance. The Purchaser may also consider termination of the contract pursuant to GCC Clause 23.

23. Termination for Default

- 23.1 The Purchaser, without prejudice to any other remedy for breach of contract, by written notice of default sent to the Vendor, may terminate this contract in whole or in part:
- a) if the Vendor fails to deliver any or all of the goods within the period(s) specified in the contract, or within any extension thereof granted by the Purchaser pursuant to GCC Clause 21.2;

- b) if the Vendor fails to perform any other obligation(s) under the contract; or
- c) if the Vendor, in the judgment of the Purchaser, has engaged in corrupt or fraudulent practices in competing for or in executing the contract.

23.2 In the event the Purchaser terminates the contract in whole or in part, the Purchaser may procure, upon such terms and in such manner as it deems appropriate, goods/works and/or services similar to those undelivered, and the Vendor shall be liable to the Purchaser for any excess costs for such similar goods/works and/or services. However, the Vendor shall continue performance of the contract to the extent not terminated.

23.3 Where the Purchaser terminates the contract in whole or in part, the Purchaser may decide to impose a restriction penalty on the Vendor by prohibiting such Vendor from doing business with the public sector for a period not exceeding 10 years.

23.4 If a Purchaser intends imposing a restriction on a Vendor or any person associated with the Vendor, the Vendor will be allowed a time period of not more than fourteen (14) days to provide reasons why the envisaged restriction should not be imposed. Should the Vendor fail to respond within the stipulated fourteen (14) days the Purchaser may regard the intended penalty as not objected against and may impose it on the Vendor.

23.5 Any restriction imposed on any person by the Accounting Officer / Authority will, at the discretion of the Accounting Officer / Authority, also be applicable to any other enterprise or any partner, manager, director or other person who wholly or partly exercises or exercised or may exercise control over the enterprise of the first-mentioned person, and with which enterprise or person the first-mentioned person, is or was in the opinion of the Accounting Officer / Authority actively associated.

23.6 If a restriction is imposed, the Purchaser must, within five (5) working days of such imposition, furnish the National Treasury, with the following information:

- (i) the name and address of the Vendor and / or person restricted by the Purchaser;
- (ii) the date of commencement of the restriction
- (iii) the period of restriction; and

(iv) the reasons for the restriction.

These details will be loaded in the National Treasury's central database of Vendors or persons prohibited from doing business with the public sector.

23.7 If a court of law convicts a person of an offence as contemplated in sections 12 or 13 of the Prevention and Combating of Corrupt Activities Act, No. 12 of 2004, the court may also rule that such person's name be endorsed on the Register for Tender Defaulters. When a person's name has been endorsed on the Register, the person will be prohibited from doing business with the public sector for a period not less than five years and not more than 10 years. The National Treasury is empowered to determine the period of restriction and each case will be dealt with on its own merits. According to section 32 of the Act the Register must be open to the public. The Register can be perused on the National Treasury website.

24. Anti-Dumping and Countervailing Duties and Rights

24.1 When, after the date of bid, provisional payments are required, or antidumping or countervailing duties are imposed, or the amount of a provisional payment or anti-dumping or countervailing right is increased in respect of any dumped or subsidized import, the State is not liable for any amount so required or imposed, or for the amount of any such increase. When, after the said date, such a provisional payment is no longer required or any such anti-dumping or countervailing right is abolished, or where the amount of such provisional payment or any such right is reduced, any such favorable difference shall on demand be paid forthwith by the contractor to the State or the State may deduct such amounts from moneys (if any) which may otherwise be due to the contractor in regard to supplies or services which he delivered or rendered, or is to deliver or render in terms of the contract or any other contract or any other amount which may be due to him.

25. Force Majeure

25.1 Notwithstanding the provisions of GCC Clauses 22 and 23, the vendor shall not be liable for forfeiture of its performance security, damages, or termination for default if and to the extent that

his delay in performance or other failure to perform his obligations under the contract as a result of an event of Force Majeure.

- 25.2 If a force majeure situation arises, the Vendor shall promptly notify the Purchaser in writing of such condition and the cause thereof. Unless otherwise directed by the Purchaser in writing, the Vendor shall continue to perform its obligations under the contract as far as is reasonably practical, and shall seek all reasonable alternative means for performance not prevented by the force majeure event.

26. Termination on Insolvency

- 26.1 The Purchaser may at any time terminate the contract by giving written notice to the Vendor if the Vendor becomes bankrupt or otherwise insolvent. In this event, termination will be without compensation to the Vendor, provided that such termination will not prejudice or affect any right of action or remedy which has accrued or will accrue thereafter to the Purchaser.

27. Settlement of Disputes

- 27.1 If any dispute or difference of any kind whatsoever arises between the Purchaser and the Vendor in connection with or arising out of the contract, the parties shall make every effort to resolve amicably such dispute or difference by mutual consultation.
- 27.2 If, after thirty (30) days, the parties have failed to resolve their dispute or difference by such mutual consultation, then either the Purchaser or the Vendor may give notice to the other party of his intention to commence with mediation. No mediation in respect of this matter may be commenced unless such notice is given to the other party.
- 27.3 Should it not be possible to settle a dispute by means of mediation, it may be settled in a South African court of law.

27.4 Mediation proceedings shall be conducted in accordance with the rules of procedure specified in the SCC.

27.5 Notwithstanding any reference to mediation and/or court proceedings herein,

(a) the parties shall continue to perform their respective obligations under the contract unless they otherwise agree; and

(b) the Purchaser shall pay the Vendor any monies due the Vendor.

28. Limitation of Liability

28.1 Except in cases of criminal negligence or wilful misconduct, and in the case of infringement pursuant to Clause 6;

a) the Vendor shall not be liable to the Purchaser, whether in contract, tort, or otherwise, for any indirect or consequential loss or damage, loss of use, loss of production, or loss of profits or interest costs, provided that this exclusion shall not apply to any obligation of the Vendor to pay penalties and/or damages to the Purchaser; and

b) the aggregate liability of the Vendor to the Purchaser, whether under the contract, in tort or otherwise, shall not exceed the total contract price, provided that this limitation shall not apply to the cost of repairing or replacing defective equipment.

29. Governing Language

29.1 The contract shall be written in English. All correspondence and other documents pertaining to the contract that is exchanged by the parties shall also be written in English.

30. Applicable Law

30.1 The contract shall be interpreted in accordance with South African laws, unless otherwise specified in SCC.

31. Notices

31.1 Every written acceptance of a bid shall be posted to the Vendor concerned by registered or certified mail and any other notice to him shall be posted by ordinary mail to the address furnished in his bid or to the address notified later by him in writing and such posting shall be deemed to be proper service of such notice

31.2 The time mentioned in the contract documents for performing any act after such aforesaid notice has been given, shall be reckoned from the date of posting of such notice.

32. Taxes and Duties

32.1 A foreign Vendor shall be entirely responsible for all taxes, stamp duties, license fees, and other such levies imposed outside the Purchaser's country.

32.2 A local Vendor shall be entirely responsible for all taxes, duties, license fees, etc., incurred until delivery of the contracted goods to the Purchaser.

32.3 No contract shall be concluded with any bidder whose tax matters are not in order. Prior to the award of a bid the Department must be in possession of a tax clearance certificate, submitted by the bidder. This certificate must be an original issued by the South African Revenue Services.

33. National Industrial Participation Programme

33.1 The NIP Programme administered by the Department of Trade and Industry shall be applicable to all contracts that are subject to the NIP obligation.

34. Prohibition of Restrictive Practices

- 34.1 In terms of section 4 (1) (b) (iii) of the Competition Act No. 89 of 1998, as amended, an agreement between, or concerted practice by, firms, or a decision by an association of firms, is prohibited if it is between parties in a horizontal relationship and if a bidder (s) is / are or a contractor(s) was / were involved in collusive bidding (or bid rigging).
- 34.2 If a bidder(s) or contractor(s), based on reasonable grounds or evidence obtained by the Purchaser, has / have engaged in the restrictive practice referred to above, the Purchaser may refer the matter to the Competition Commission for investigation and possible imposition of administrative penalties as contemplated in the Competition Act No. 89 of 1998.
- 34.3 If a bidder(s) or contractor(s), has / have been found guilty by the Competition Commission of the restrictive practice referred to above, the Purchaser may, in addition and without prejudice to any other remedy provided for, invalidate the bid(s) for such item(s) offered, and / or terminate the contract in whole or part, and / or restrict the bidder(s) or contractor(s) from conducting business with the public sector for a period not exceeding ten (10) years and / or claim damages from the bidder(s) or contractor(s) concerned.

This is to certify that I have read and checked this document and it is in line with National and Provincial Treasury Requirements/Regulations.

Prepared by:

CHAIRPERSON OF BSC: *E. L. Dlamini*

SIGNATURE: 

DATE:

MANAGER SUPPLY CHAIN MANAGEMENT: *N. Hlophe*

SIGNATURE: 

DATE:

Annex C

Local Content Declaration - Summary Schedule

(C1) Tender No.
(C2) Tender description:
(C3) Designated product(s)
(C4) Tender Authority:
(C5) Tendering Entity name:
(C6) Tender Exchange Rate:
(C7) Specified local content %

Pula

EU

GBP

Note: VAT to be excluded from all calculations

(C8) Tender item no's	(C9) List of items	(C10) Tender price - each (excl VAT)	(C11) Exempted Imported value	(C12) Tender value net of exempted imported content	(C13) Imported value	(C14) Local value	(C15) Local content % (per item)

Calculation of local content

(C16) Tender Qty	(C17) Total tender value	(C18) Total exempted imported content	(C19) Total imported content

Tender summary

Signature of tenderer from Annex 8 _____

Date: _____

(C20) Total tender value R 0

(C21) Total Exempt Imported content R 0

(C22) Total Tender value net of exempt Imported content R 0

(C23) Total Imported content R 0

(C24) Total local content R 0

(C25) Average local content % of tender R 0

Annex D

Imported Content Declaration - Supporting Schedule to Annex C

Note: VAT to be entered from all countries

EU 8.900

GBP 8.1200

(P1)	Tender Ref:	
(P2)	Tender description:	
(P3)	Contracted quantity:	
(P4)	Tender Authority:	
(P5)	Tendering body name:	
(P6)	Tender Exchange Rate:	

A. Exempted imported content

Tender Item no?	Description of imported content	Local supplier	Overseas supplier	Foreign currency value as per Commercial Invoice	Tender Rate of Exchange	Local value of Imports	Freight costs to port of entry	All locally incurred landing costs & duties	Total landed cost and VAT	Tender Qty	Exempted imported value
(P7)	(P8)	(P9)	(P10)	(P11)	(P12)	(P13)	(P14)	(P15)	(P16)	(P17)	(P18)

Calculation of imported content

Summary	
(P17)	Tender Qty
(P18)	Exempted imported value
Total exempt imported value	

(P19) Total exempt imported value

This total must correspond to Annex C.21

B. Imported directly by the Tenderer

Tender Item no?	Description of imported content	Local supplier	Overseas supplier	Foreign currency value as per Commercial Invoice	Tender Rate of Exchange	Local value of Imports	Freight costs to port of entry	All locally incurred landing costs & duties	Total landed cost and VAT	Tender Qty	Total imported value
(P20)	(P21)	(P22)	(P23)	(P24)	(P25)	(P26)	(P27)	(P28)	(P29)	(P30)	(P31)

Calculation of imported content

Summary	
(P30)	Tender Qty
(P31)	Total imported value
Total imported value by tenderer	

(P32) Total imported value by tenderer

C. Imported by a 3rd party and supplied to the Tenderer

Description of imported content	Unit of measure	Local supplier	Overseas supplier	Foreign currency value as per Commercial Invoice	Tender Rate of Exchange	Local value of Imports	Freight costs to port of entry	All locally incurred landing costs & duties	Total landed cost and VAT	Quantity Imported	Total imported value
(P33)	(P34)	(P35)	(P36)	(P37)	(P38)	(P39)	(P40)	(P41)	(P42)	(P43)	(P44)

Calculation of imported content

Summary	
(P43)	Quantity Imported
(P44)	Total imported value
Total imported value by 3rd party	

(P45) Total imported value by 3rd party

D. Other foreign currency payments

Calculation of foreign currency payments	
(P46)	Type of payment
(P47)	Local supplier making the payment
(P48)	Overseas beneficiary
(P49)	Foreign currency value paid
(P50)	Tender Rate of Exchange

Signature of tenderer from Annex B

(P51) Total of foreign currency payments declared by tenderer and/or 3rd party

(P52) Total of imported contents & foreign currency payments - (P51), (P45) & (P47) above

(P53) Local value of payments

(P54) Summary of payments

This total must correspond with Annex C.22

Date:

Annex E

Local Content Declaration - Supporting Schedule to Annex C

(E1) Tender No. _____

(E2) Tender description: _____

(E3) Designated products: _____

(E4) Tender Authority: _____

(E5) Tendering Entity name: _____

Note: VAT to be excluded from all calculations

Local Products (Goods, Services and Works)	Description of items purchased (E6)	Local suppliers (E7)	Value (E8)
(E9) Total local products (Goods, Services and Works)			R 0

(E10) Manpower costs (Tender's manpower cost) R 0

(E11) Factory overheads (rental, depreciation & amortisation, utility costs, consumables etc.) R 0

(E12) Administration overheads and mark-up (Marketing, Insurance, financing, interest etc.) R 0

(E13) Total local content: R 0

This total must correspond with Annex C - C24

Signature of tenderer from Annex B

Date: _____

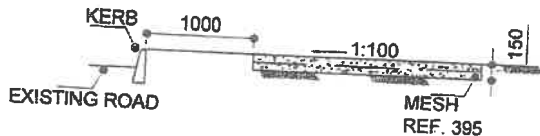


CIRCULAR TUBING FRAME/UNITS
COMPLETE WITH BRACES AND
CORNER WEDGES TO MANUFACTURES
SPECIFICATION, COMPLETE WITH
GALVANIZING
AND PAINTING

IBR SHEETING SIDES COMPLETE WITH
POP-RIVERT AND NECESSARY FASTENERS
PAINTING TO MANUFACTURES SPECIFICATION

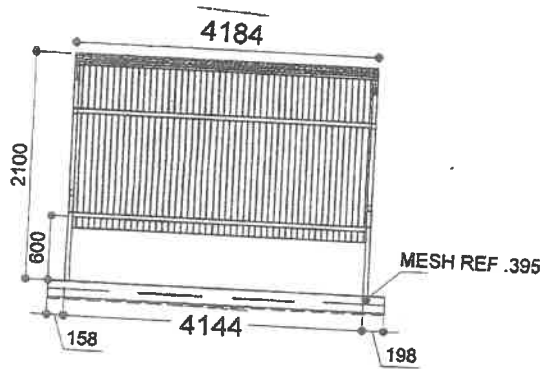
19/25 CLASS CONCRETE BASE, EITHER CAST
INSITU OR PRE-CAST TO SUIT SITE CONDITION,
THICKNESS 150mm

END ELEVATION
SCALE 1: 20



SECTION
SCALE 1: 50

W.T 22



FRONT-ELEVATION
SCALE 1:50



NT

26

72

1.1

55

