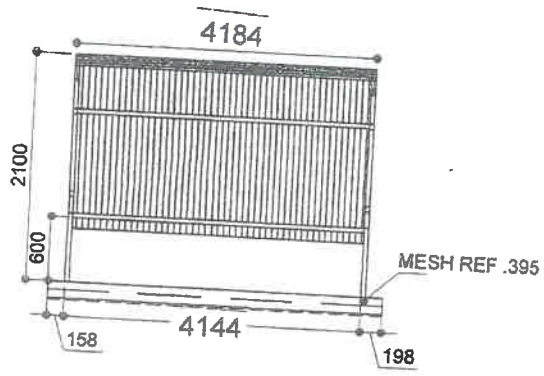
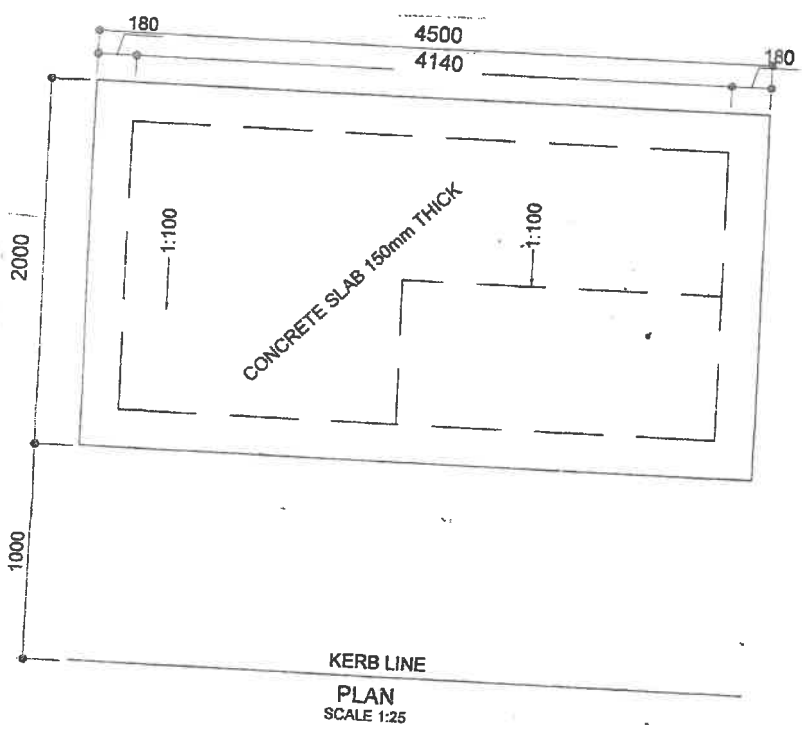


NOT 22



FRONT-ELEVATION
SCALE 1:50



117

2.6

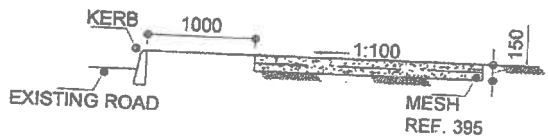


CIRCULAR TUBING FRAME/UNITS
COMPLETE WITH BRACES AND
CORNER WEDGES TO MANUFACTURES
SPECIFICATION, COMPLETE WITH
GALVANIZING
AND PAINTING

IBR SHEETING SIDES COMPLETE WITH
POP-RIVERT AND NECESSARY FASTENERS
PAINTING TO MANUFACTURES SPECIFICATION

19/25 CLASS CONCRETE BASE, EITHER CAST
INSITU OR PRE-CAST TO SUIT SITE CONDITION,
THICKNESS 150mm

END ELEVATION
SCALE 1: 20



SECTION
SCALE 1: 50

NT 26