



Main Street
Creighton, 3263

P.O Box 62

Creighton 3263

Phone: +27 39 833 1038

Fax: +27 39 833 1179

Email: mailbox@ndz.gov.za

A Better Place for ALL

www.ndz.gov.za

ADDENDUM FOR CONSTRUCTION OF STORMWATER HEADWALLS - PWBS-B026/24/25

Date: 23/08/2024

The addendum serves to correct the specification, pricing schedule and closing date will be extended.

1. On page 9- 10 (**SPECIFICATION**), we have made changes on the entire specification, the one which was attached incorrect (**see attached correct specification**).
2. On page 19-20 (**PRICE SCHEDULE**), we have made changes on the entire pricing schedule, the one which was attached incorrect (**see attached correct specification**).

See below extended date:

PROJECT NAME	CONTRACT NO.	EXTENDED DATE AND TIME FOR CLOSING
CONSTRUCTION OF STORMWATER HEADWALLS	PWBS-B026/24/25	2 September 2024 @12h00

RECOMMENDED BY:


MISS N. HOLIWE
SCM MANAGER

APPROVED BY:


MR. N.C. VEZI
MUNICIPAL MANAGER

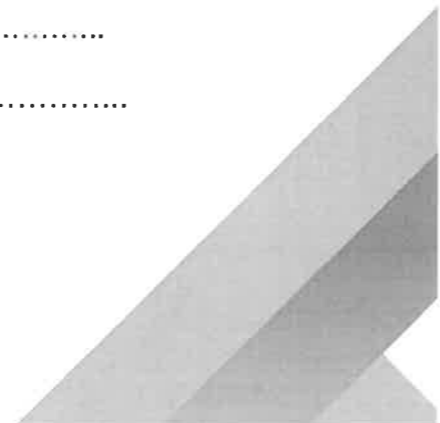
I acknowledge receipt of this Addendum No.1

Name:.....

Signature:.....

Date:.....

Name of Tenderer (Company Name):.....



A Better Place for All

SPECIFICATION

The Dr Nkosazana Dlamini Zuma Municipality hereby requests from suitably, qualified and experienced service provider to **Construct Stormwater Headwalls**. The successful bidder will be required to deliver as per the following specification:

All products must be:

1. Class 100D
2. SABS approved

Ward	Access Road name	No. crossings per road	No. Headwalls to be constructed
9	Matendeni	2x600mm dia. crossings	4
10	Ezakhisweni Phase 1	2x600mm dia. crossings	4
		1x900mm dia. crossings	2
	Zekeleni	1x600mm dia. crossing	2
	Sphithi	1x600mm dia. crossing	2

MBD3 – PRICING SCHEDULE

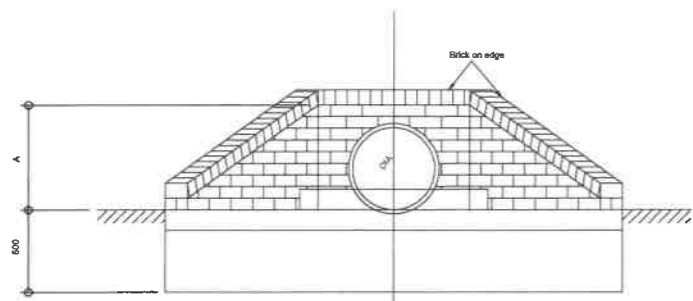
PROJECT :CONSTRUCTION OF STORMWATER HEADWALLS AT
NAME WARD 09 AND 10

Item	Description	Unit	Quantity	Rate	Amount
0	Preliminary and General	Sum	1		
1	Bulk Earthworks				
1.1	Earthwork in excavation by mechanical means				
1,1,1	1,5m up to 2m deep	m ³	300		
1.2	Prepare bedding in trenches up to 100mm depth	m ³	100		
1.3	Backfilling by compacting in layers not exceeding 300mm using wecker.	m ³	180		
2	Headwalls				
2.1	Supply material and construct inlet and outlet headwall for a 600mm dia. pipe as per the standard detail attached	No.	12		
2.2	Supply material and construct inlet and outlet headwall for a 900mm dia. pipe as per the standard detail attached	No.	2		
3	Reinstate site and general cleaning	Sum	Sum		

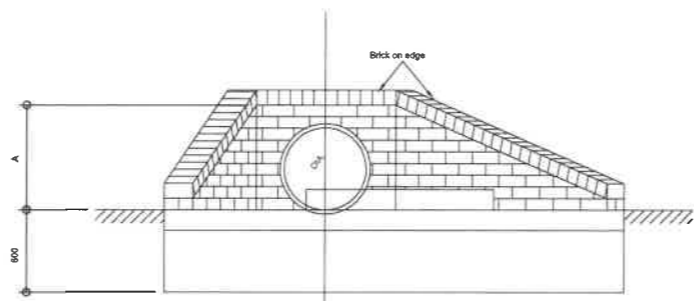
	Subtotal			
	contigencies@10%			
	Vat @15%			
	Total			

Note: The duration of this project is 2 months i.e 60 days and local labour rate is R175.00 per person per day

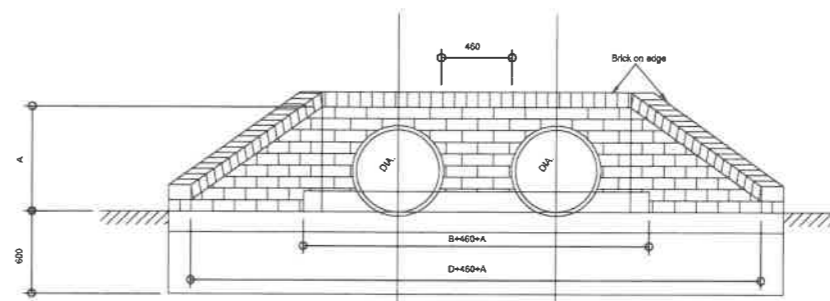
DESIGN SPEED: 40KM/HR



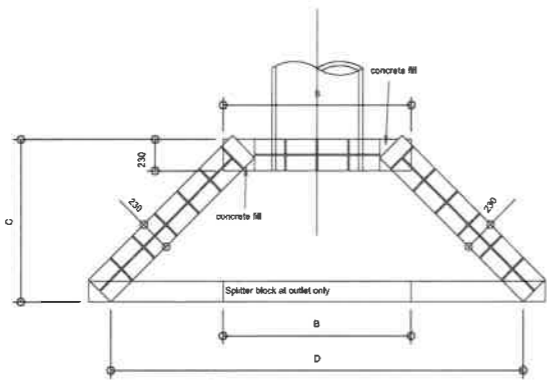
FRONT ELEVATION - SINGLE PIPE



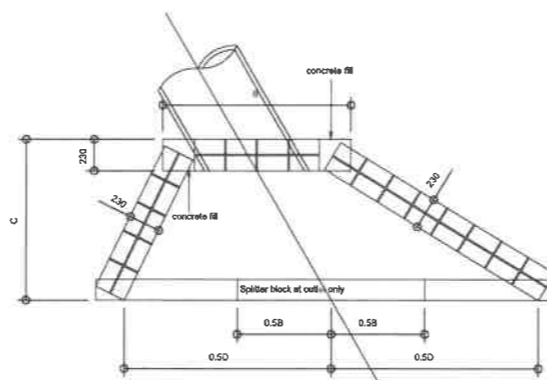
FRONT ELEVATION - SKEW PIPE



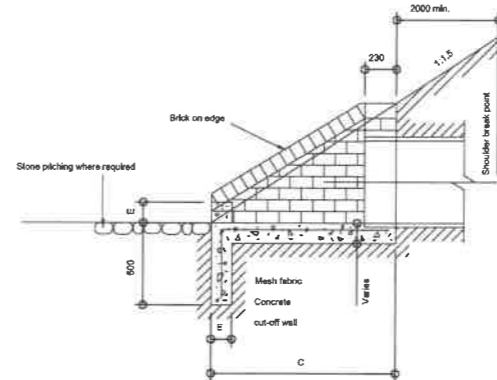
FRONT ELEVATION - DOUBLE PIPE



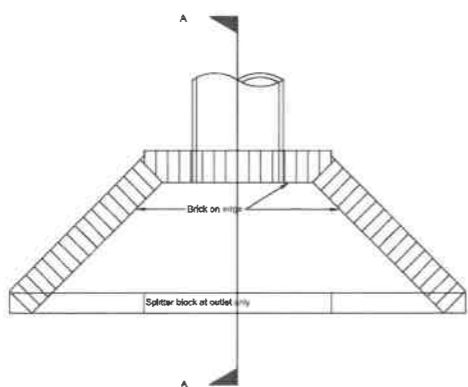
LAYOUT OF BRICKWORK



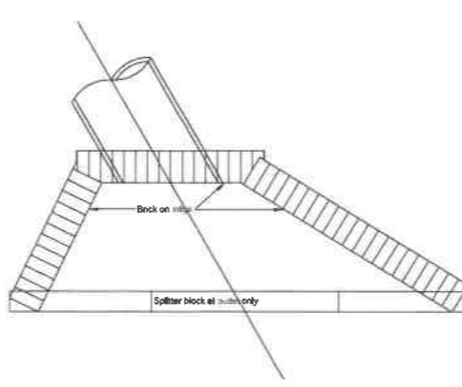
LAYOUT OF BRICKWORK



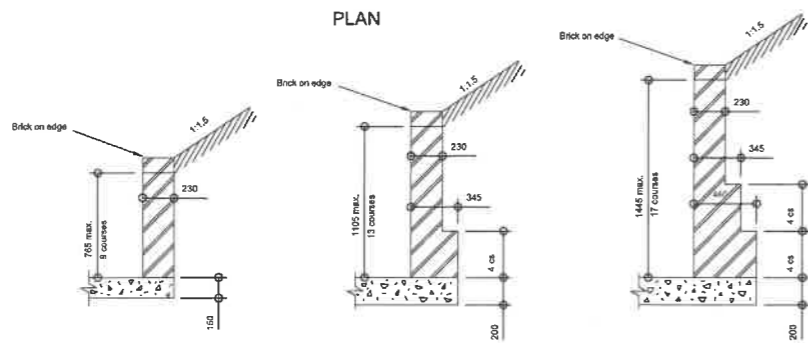
SECTION A-A



PLAN



PLAN OF SKEW CULVERT



TYPICAL RETAINING WALL DETAILS

Nominal Dia.	Dimensions (mm)				
	A	B	C	D	E
450	585	1 150	1 050	2 700	150
600	765	1 380	1 200	3 000	150
750	935	1 610	1 350	3 300	150
900	1 105	1 840	1 500	3 600	230
1 050	1 275	2 070	1 750	3 900	230
1 200	1 445	2 300	1 900	4 200	230

Notes:

1. Splitter block and pitching to be provided at all outlets where erosion is likely to occur.
2. Splitter block may be omitted if discharge is less than 0.9m/s
3. Cut-off walls may be omitted if structure is founded on rock.
4. For multiple pipe culverts increase dimensions 'E' and 'F' by $(n-1)(A+460)$ mm where n =number of pipes and A =nominal pipe diameter.
5. Pipes to be cutflush with the headwall
6. For skew pipes the headwall shall be parallel to the centre line of the road
7. All concrete is to be 20MPa
8. Square mesh fabric (Ref S.M.F 193) is to be placed 50mm from top in all apron slabs and centrally in cut-off walls
9. Brickwork is to consist of good quality burnt clay common bricks in accordance with SABS 227 specification uniform size and shape layered in stretcher bond style with the skins lied together with galvanised crimped wire wall ties
10. Brickforce is to be placed every 4th course
11. Jointing on all visible faces to be pointed
12. No in-fill shall be larger than half standard brick size unless 15 MPa concrete is used.

- WATER NOTES:**
1. ALL WORK TO BE CARRIED OUT IN ACCORDANCE WITH SABS 1500 SERIES AND THE PROJECT SERIES SPECIFICATIONS.
 2. THE CONTRACTOR IS TO CONFIRM ALL LEVELS AND SETTING OUT INFORMATION PRIOR TO CONSTRUCTION.
 3. EXISTING SERVICES TO BE PROVIDED PRIOR TO CONSTRUCTION.
 4. SURVEY AND DESIGN INFORMATION IS BASED ON THE WGS 84 CO-ORDINATE SYSTEM.
 5. ALL DIMENSIONS TO BE CONFIRMED ON SITE PRIOR TO ANY CONSTRUCTION BEING DONE. REFER ANY DISCREPANCIES TO THE SITE ENGINEER.
 6. FOR GEOTECHNICAL INFORMATION REFER TO GEOTECHNICAL REPORT.
 7. MINIMUM PIPE COVER TO BE 1000mm.
 8. ALL BACKFILL TO BE COMPACTED TO 93% MOD AASHTO UNLESS OTHERWISE SPECIFIED.

No. of Pages: 05
 Date: 01/08/2024
 Title: HEADWALLS
 Author: U. MGATSA
 Checker: T. NGCONGO

DESIGNED BY: V. GUBEKA
 CHECKED: T. NGCONGO

DRAWN BY: U. MGATSA
 CHECKED: T. NGCONGO

CONTRACTANT: PRS178MCE-ZCE/RD/C/502

TENDER DRAWING

DATE: _____

DRAWN BY: _____
 CHECKED BY: _____

LEGEND

- PIPE CULVERT
- POWERLINE
- PIPE
- FENCE
- TELEPHONE POLES
- ELECTRIC BOX
- TELECOM PIPES AND CABLES
- CHANGEOFF: 100m INTERVAL
- BENCHMARK
- DATE
- BUILDING

DESCRIPTION

DESCRIPTION	BY

REFERENCE DRAWINGS

REFERENCE DRAWINGS

UNDERGROUND SERVICES CHECKED

DATE	SIGNATURE

CLIENT:
 DR NKOSAZANA DLAMINI
 ZUMA MUNICIPALITY

DRAWING TITLE:
 HEADWALLS

SCALE: 1: 1000

FOR TENDER

MUNICIPALITY DRAWING NO: _____
 REVISION: 0