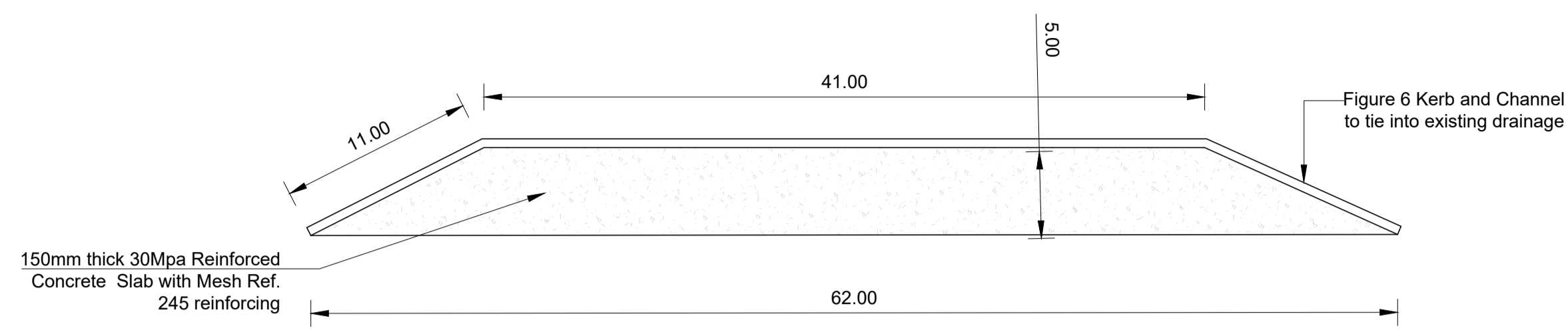
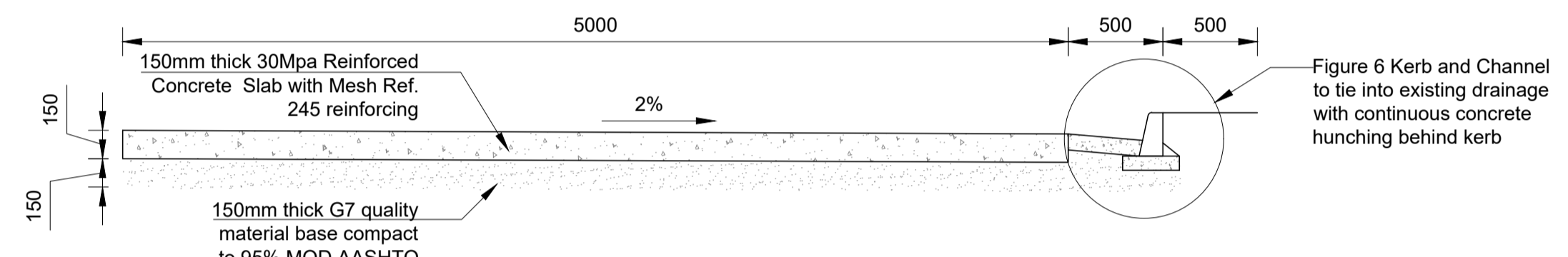


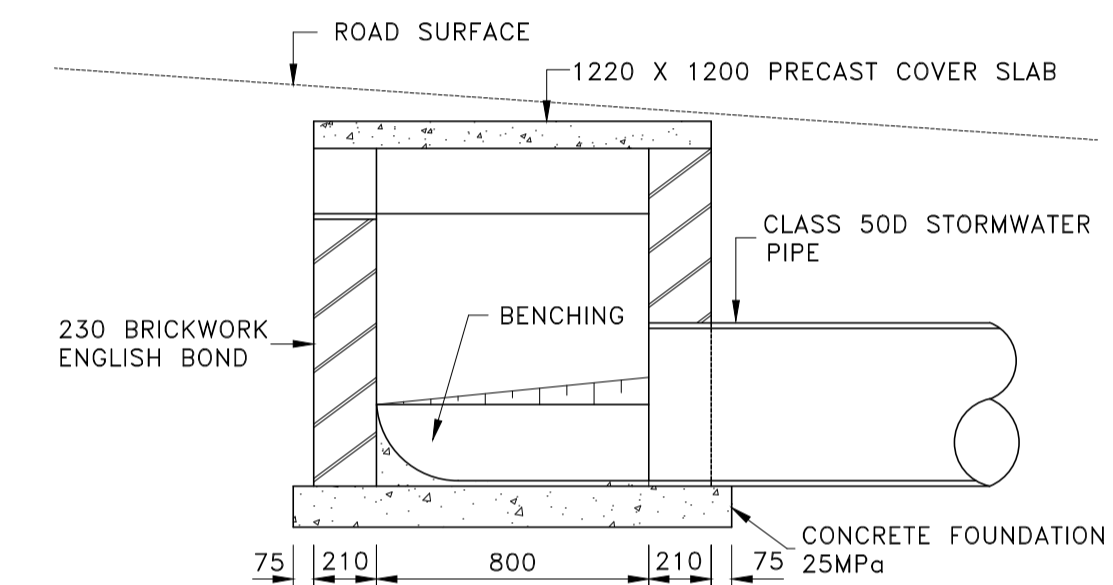
**TYPE 7A LOCAL ROAD OR BY-ROAD
(FLAT TERRAIN)**



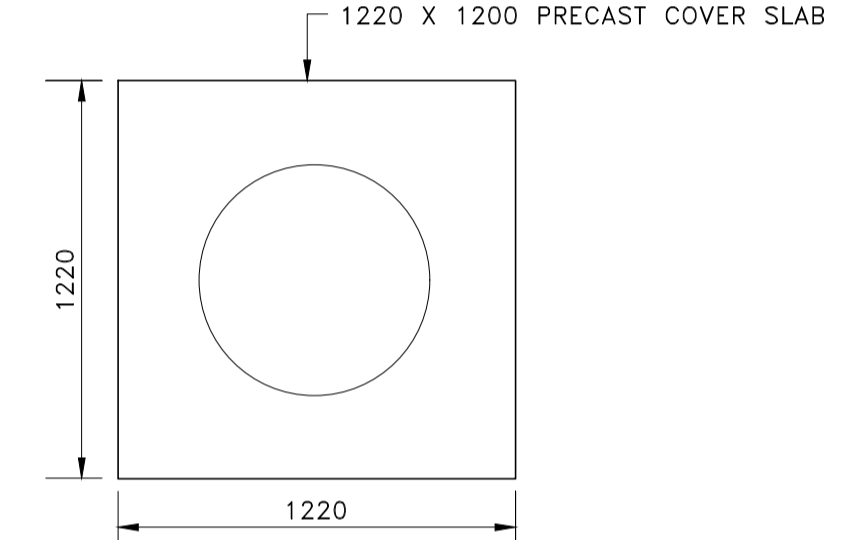
**TRUCK STOP -
LAYOUT PLAN**



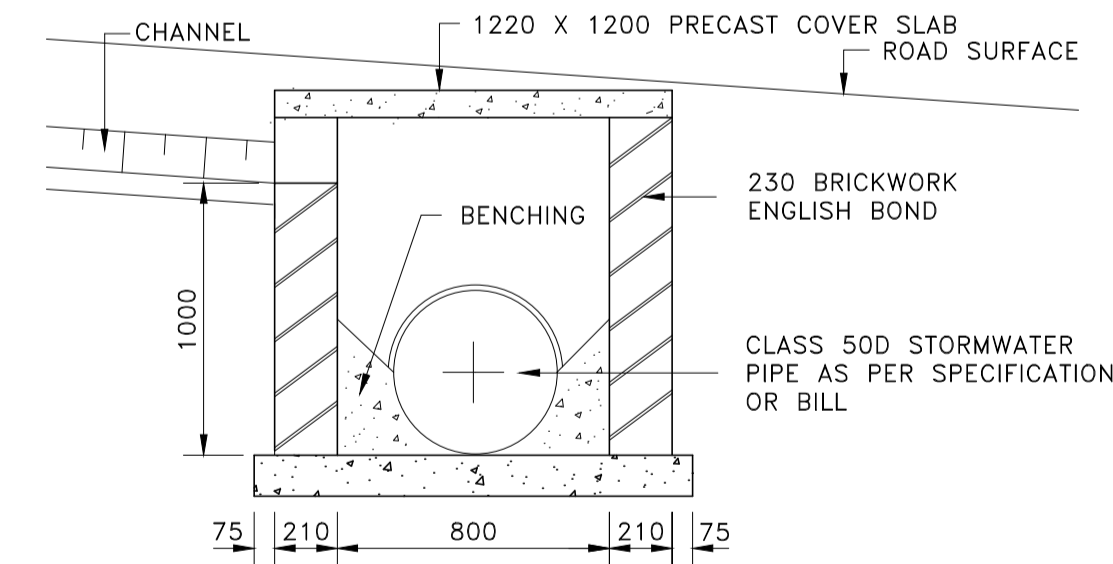
**TRUCK STOP -
TYPICAL SECTION**



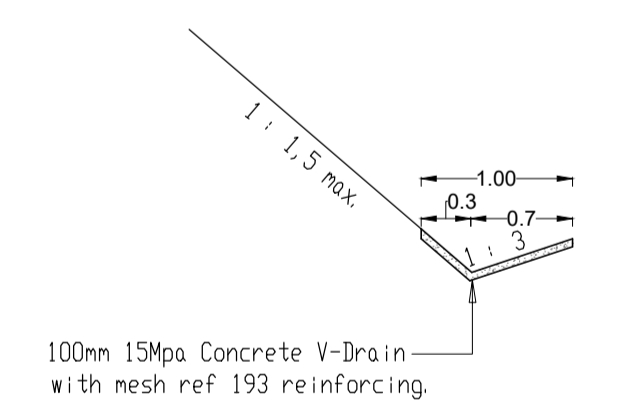
SECTION A - A



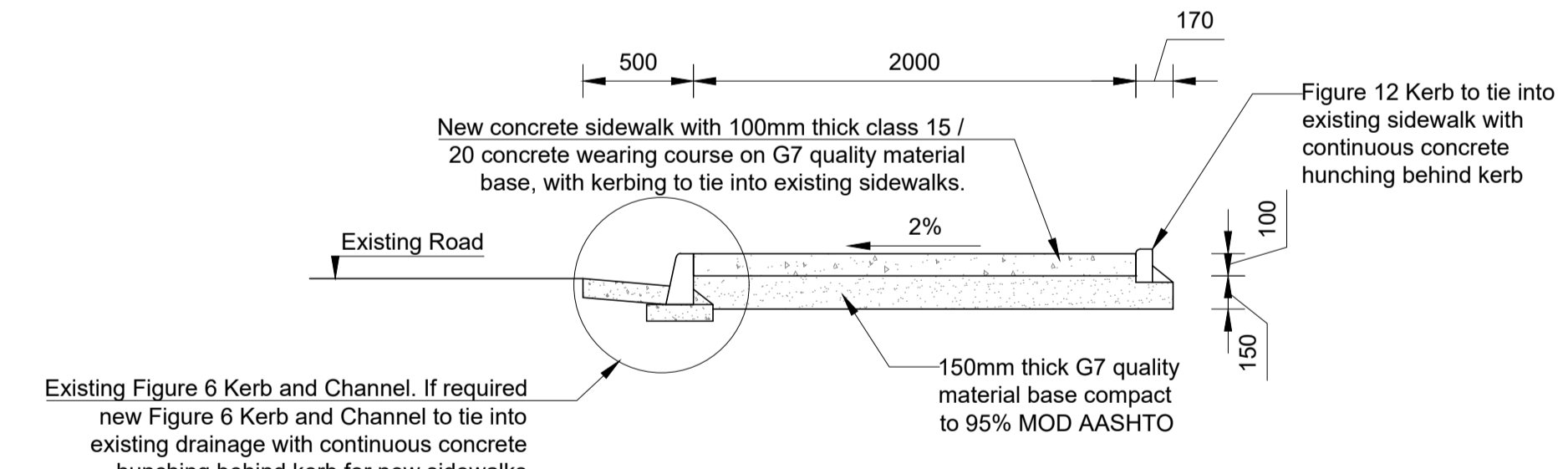
HEAVY DUTY PRECAST MANHOLE COVER



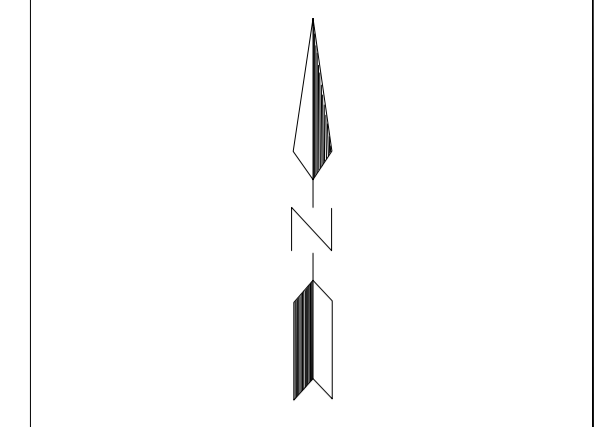
SECTION B - B




TYPICAL CONCRETE V-DRAIN



**SIDEWALK -
TYPICAL SECTION**



CLIENT:

Dr Nkosazana Dlamini Zuma
 Local Municipality
 Address: P.O.Box 62, Creighton, 3263
 Main Street, Creighton, 3263
 Telephone No.: (039) 833 1038
 Facsimile No.: (039) 833 1179

CONSULTANT:

SHARDEH SEWLAL ENGINEERS
 Geotechnical and Civil Engineering Consultants
 Est 2002 / ISO 9001:2015 / Level 1 BEE
 Telephone No. : 031 266 7629
 Mobile No. : 082 331 0780
 Email : geotech@shardeh.co.za
 Address : 1 Huntley Place,
 Westville,
 3629

DRAWING REVISIONS

REV	DATE	DRAWN	CHECKED	DESCRIPTION

PROJECT NAME:
**UNDERBERG TOWN
 UPGRADES -
 WALKWAYS, TRUCK
 STOP, PARKING AREA,
 ENTRANCE AREA AND
 MINOR DRAINAGE**

DRAWING TITLE:
STANDARD DETAILS

RESPONSIBLE PERSONNEL	SIGNATURE	DATE
DESIGNED	LH	29/06/2022
DRAWN	LH	29/06/2022
CHECKED	SS	29/06/2022
APPROVED	SS	29/06/2022
SCALE	NTS	

APPROVED : CLIENT
 SIGNATURE _____ DATE _____

PROJECT NUMBER	DRAWING NUMBER		
UA1213/01	UA1213-01-002-DET-A-00		
STAGE	SHEET SIZE	SHEET No.	REVISION
DESIGN	A1	2 of 2	-

COPYRIGHT RESERVED

ISSUED FOR APPROVAL ONLY